



# A2 SOUL USER MANUAL

- Fingerprint
- Password
- Card
- Mobile APP
- Mechanical Key

The default admin password is 123456  
Please register the admin users in time.  
Ensure not to use consecutive repetitive numbers for your safety.

### Safety Cautions

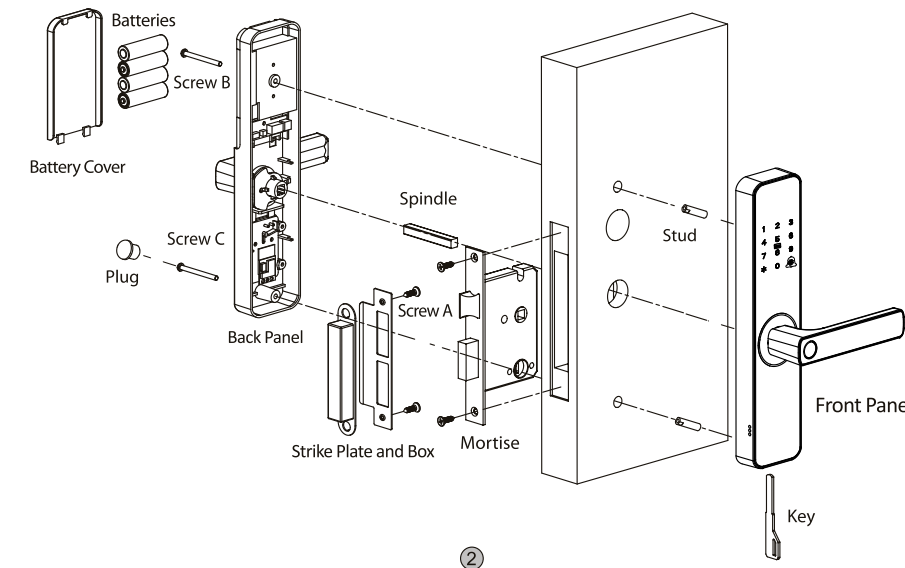
- The manual should be read thoroughly before operating the product.
- For security, the password should be changed regularly.
- When the batteries are flat, all batteries should be replaced together with new ones rather than used ones.
- Do not install, disassemble or repair without the assistance of a product technician.

### Product Components

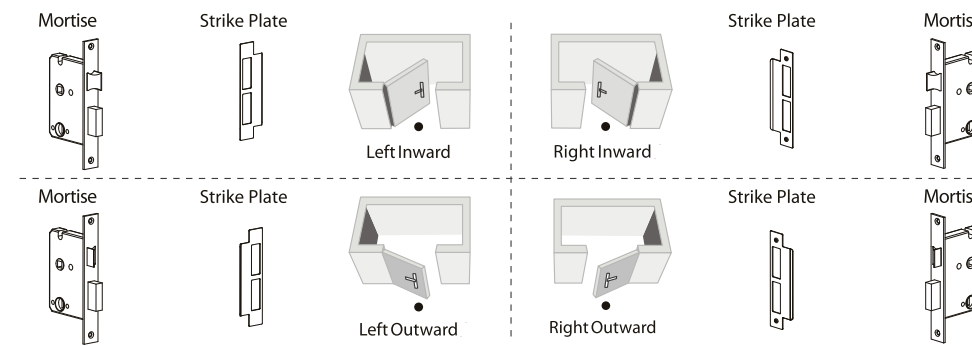
Mortise	Strike plate and Box	Front Panel	Back Panel
Keys	IC Cards	Studs	Plug
Door Thickness	Spindle	Screw B	Screw C
35 to 50mm			
51 to 60mm			

**Note:** The standard kit includes screws and spindles for doors with thicknesses ranging from 35 to 60 mm. To make sure that the operation of the lock, please use the appropriate set of screws and spindles based on the thickness of your door.

### Installation Axial View (right-handed door)

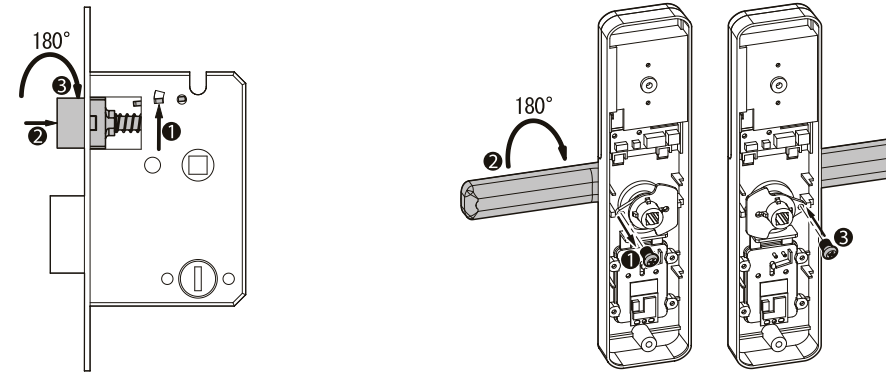


### Confirm Door Direction

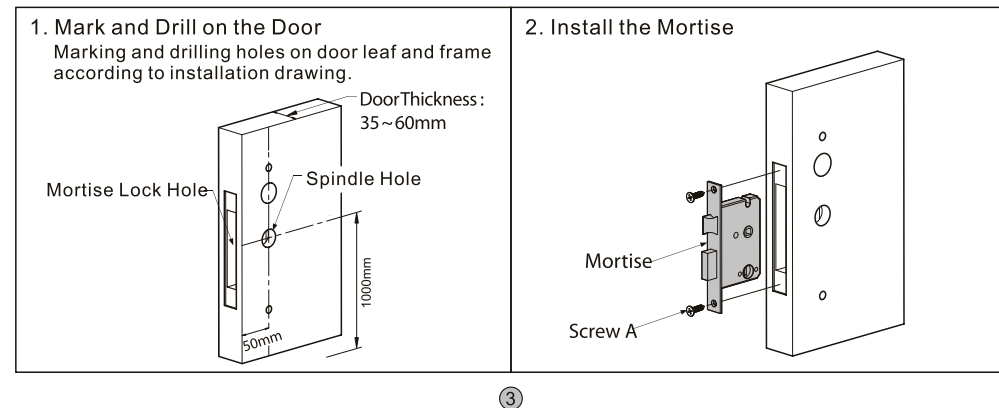


### Mortise and Handle Direction Changement

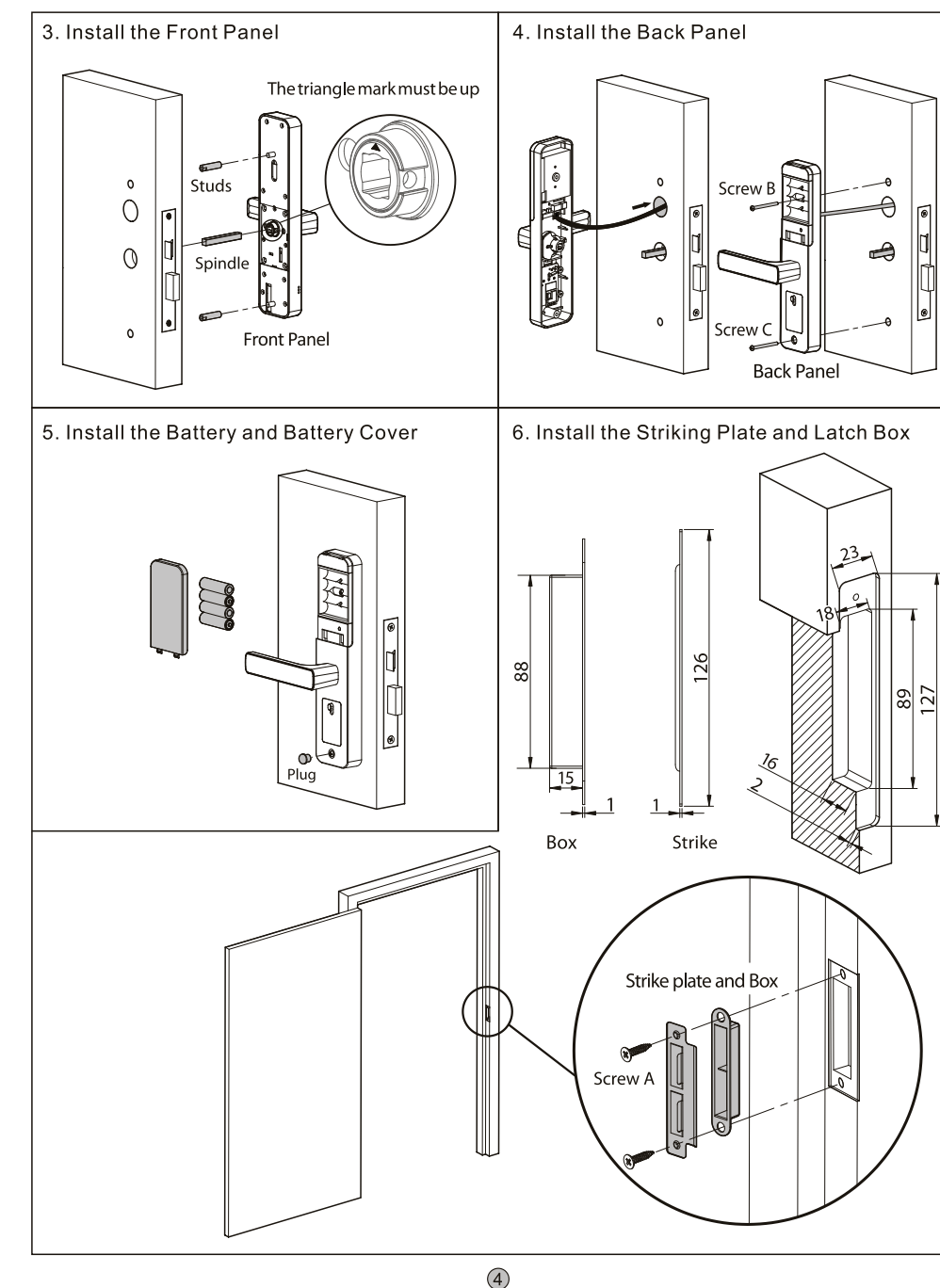
- A. Mortise Lock Direction Changement**
1. Push the reversing block in upward direction.
  2. Push the latch bolt into the mortise.
  3. Rotate the latch bolt with 180° and then inside the mortise, and then loosen it.
- B. Handle Direction Changement**
1. Remove the screw.
  2. Rotate the handle 180° to the opposite side.
  3. Install and tighten the screw.



### Installation Steps (right-handed door)



### Installation Steps (right-handed door)



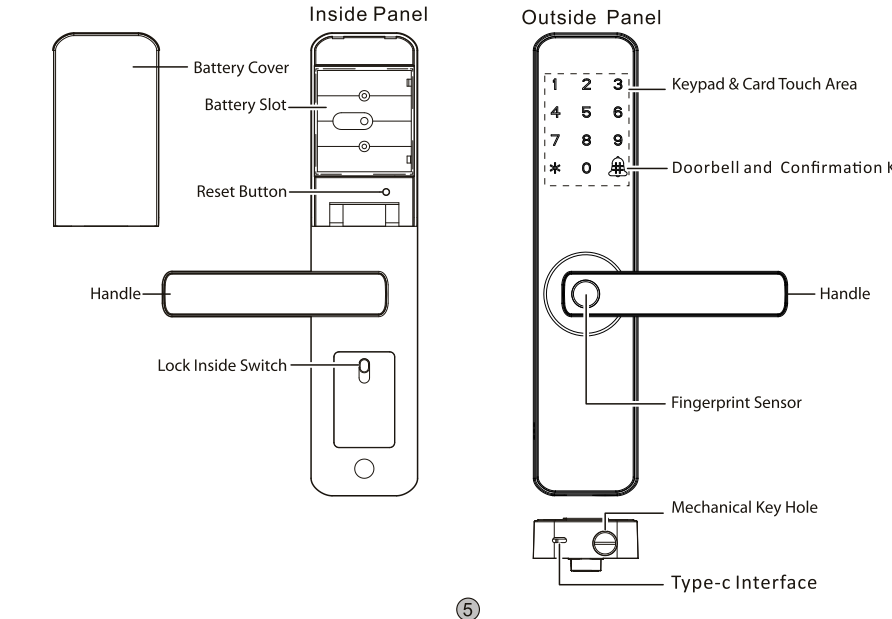
### Product Specification

Unlocking Way: Fingerprint/Password /Card/Key/ Mobile APP  
 User Capacity: 100PCS Fingerprint(10Pcs Admin)  
 100PCS Password(5Pcs Admin)  
 100PCS IC Card  
 User Management: Setting Mode  
 Fingerprint Type: RF Semiconductor Fingerprint  
 Dual Verification: Yes  
 Mortise Lock: K5050 Mechanical Mortise ( Default )  
 4085/5085/5585/6085 ( Optional )  
 Main Material: Aluminum Alloy  
 Power: 4.6V-6.5V (4PCSLR6 AA Alkaline Batteries)  
 Emergency Power Supply: 5V Type-c  
 Working Temperature: -20°C~+55°C  
 Door Thickness: 35-50mm  
 Language Options: English/Chinese/Thai/Portuguese/ Vietnamese/ Arabic/ Russian/French/Spanish

### Language Setting

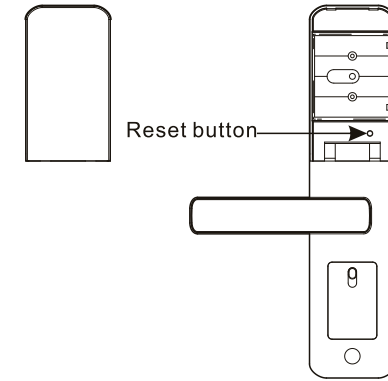
Under demo mode, you can input right digits to select the voice guidance quickly.  
 555-666-880#>English  
 555-666-881#>Vietnamese  
 555-666-882#>Portuguese  
 555-666-883#>Arabic  
 555-666-884#>Russian  
 555-666-885 #>Thai  
 555-666-886#>Spanish  
 555-666-887#>French  
 555-666-888#>Chinese  
 Note : a. Default language is English  
 b. Only under demo mode, you can modify the voice guidance via the quick language setting instruction.

### Graphic Description



### Initialization Setting

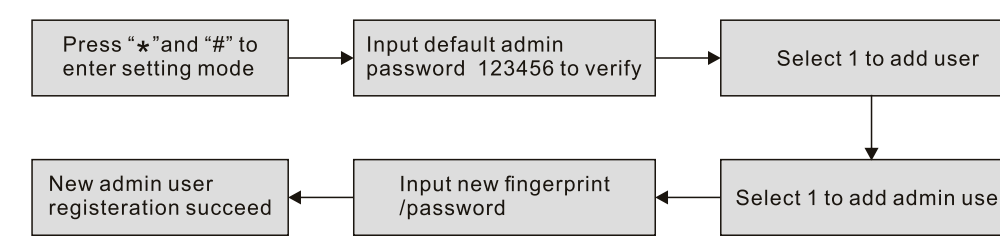
1. Remove the battery cover from the back panel.
2. Keep pressing the "initialization key" more than 5s, When you hear the prompt "Initialization press # to confirm or press \* to exit".
3. Press # to confirm, the initialization would start and all data would be deleted.



### Demo Mode

Under demo mode, any Fingerprint/Pincode/Card can unlock, please register the admin users timely.

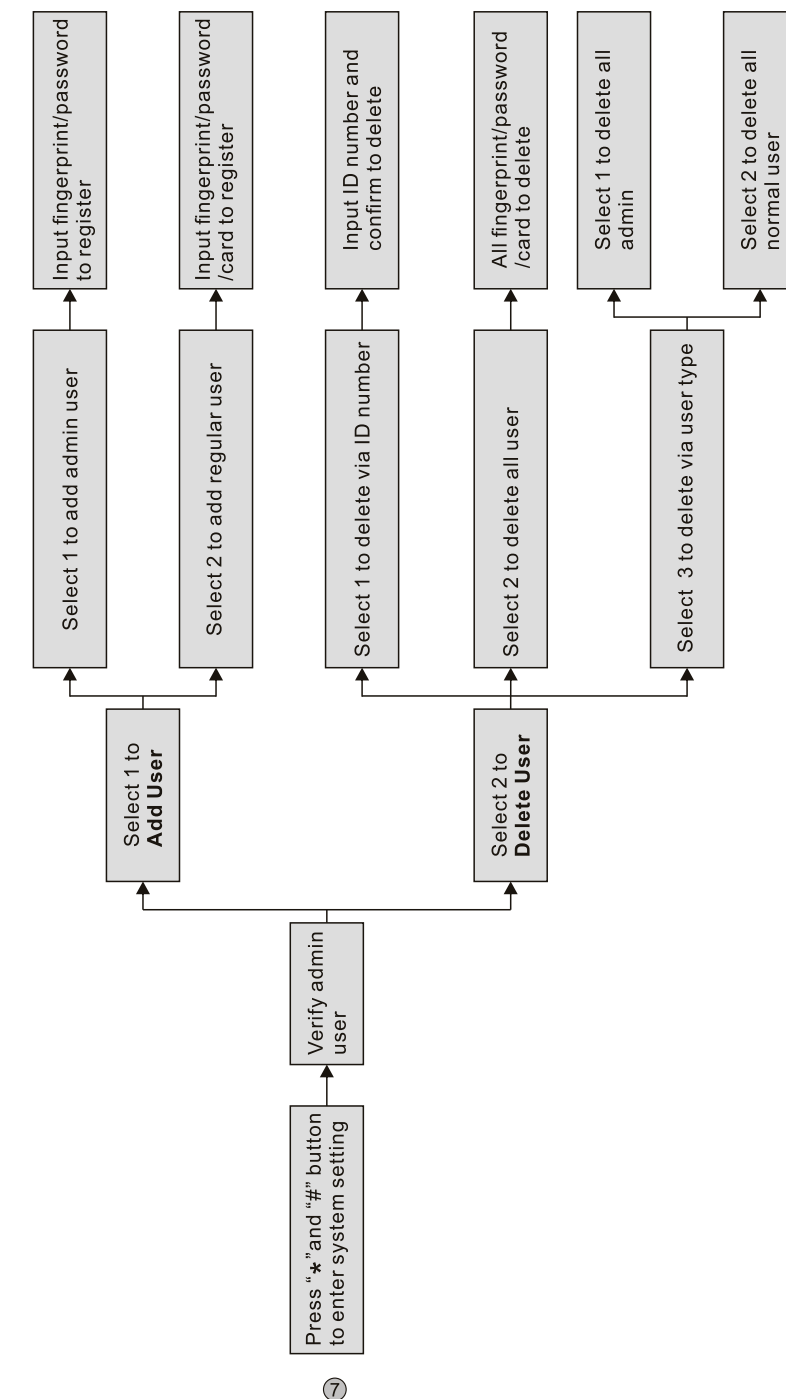
### Add First Admin



Note: I. To update the default password, the first admin can be with fingerprint or password.  
 II. After registration, the demo mode would be cancelled.

## System Setting Menu

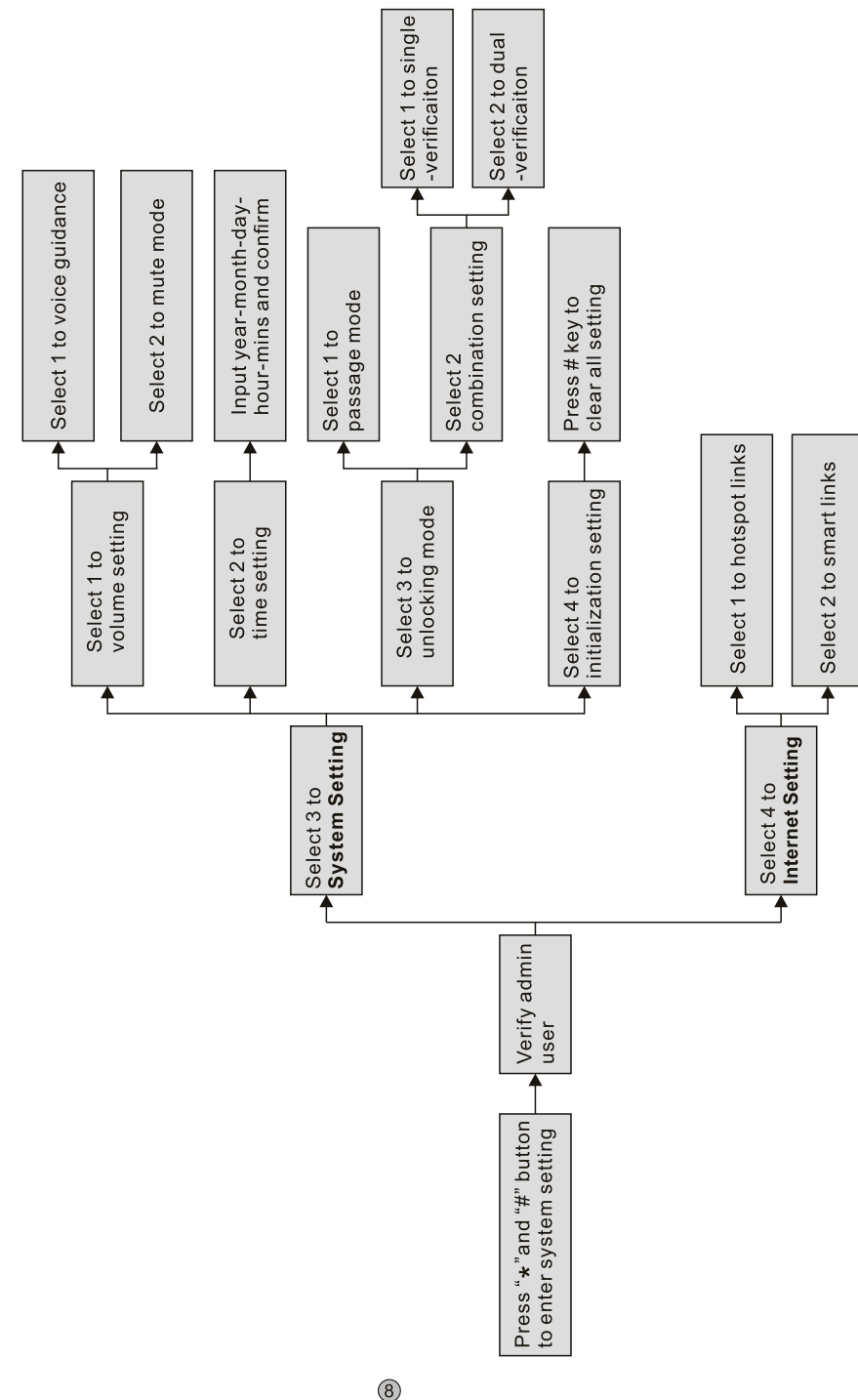
After admin user registration, you can add users, delete user, system setting via the setting menu.



7

## System Setting Menu

After admin user registration, you can add users, delete user, system setting via the setting menu.



8

## More Details

### Add Users

Following the system setting menu to add admin and regular users, only admin users can manage the system while regular users are only for daily unlocking.

Note: Regular users only can be registered after the first admin user's registration.

### Delete Users

You can select to delete all users, all admin users, all normal users and delete users via user ID via the "Delete User" menu.

- If to delete all users, the lock would be restore to demo mode and any Fingerprint /Password/Card can unlock.
- If to delete all admin users, please register the new admin in time without exit the system menu. Or not, only the normal users can work. Please reset the lock via the "Initialization Button" to clear all users and add new admin users.

### Volume Setting

You can close or open the voice guidance via the voice volume setting menu.

Note: Under "Mute Mode", all operation voice guidances are closed but the doorbell still can work.

### Passage Mode

Under passage mode, the lock would be always open.

Note: After unlocking the door with Fingerprint/Password/Card, the passage mode would be cancelled.

### Dual Verification Setting

Under dual-verification mode, you need to verify 2 users to unlock the door.

Note: The default standard is with single verification.

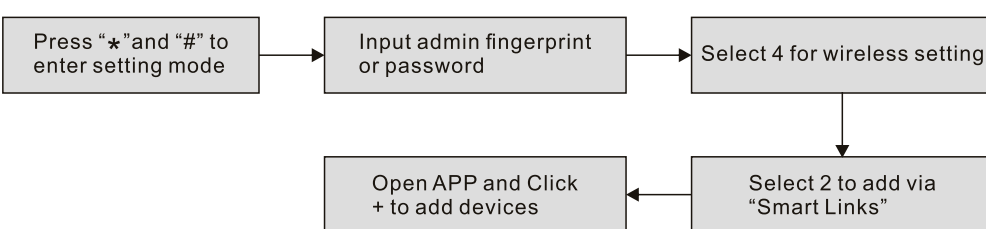
### Initialization Setting

After initialization, all users are deleted and any fingerprint/password/card can unlock.

## APP Download

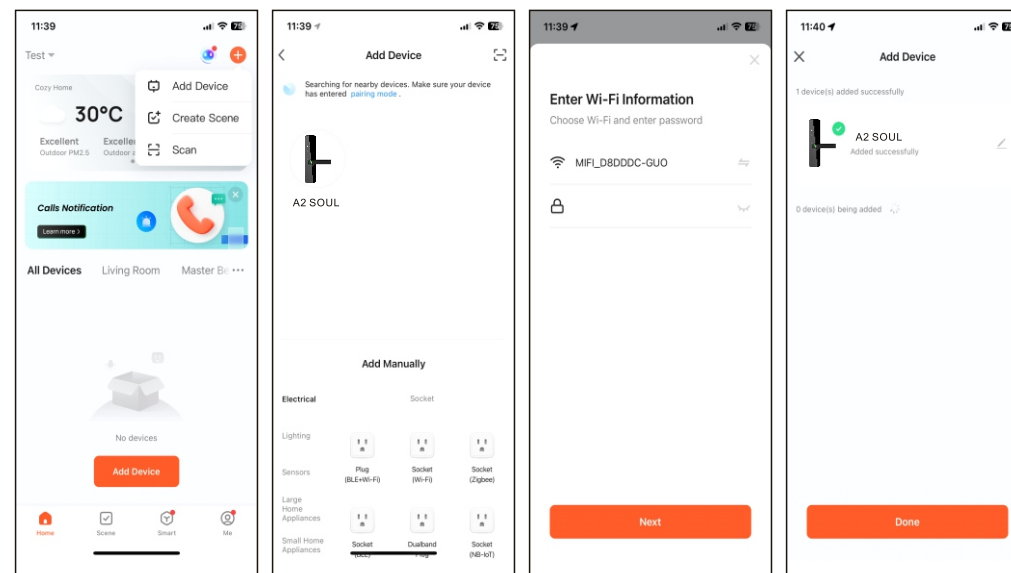
Download "A2 SMART LIVING" from APP Store or Google market, open the APP and register the user via Email or Mobile number.

## APP Adding



- Note:
- The APP would search available smart lock devices automatically.
  - During adding, please make sure your phone and lock are with same Internet.

9

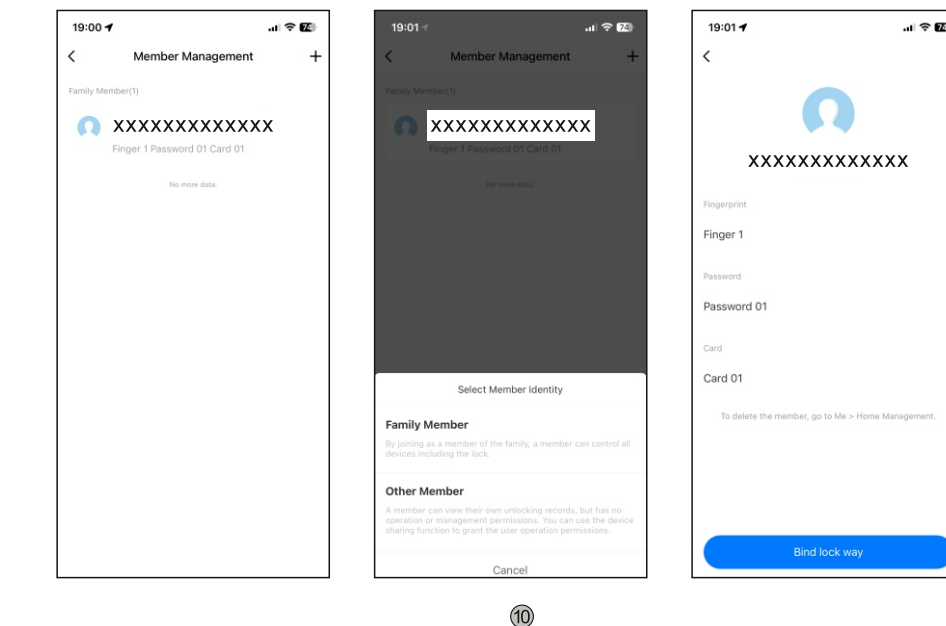


## APP Operation

### Member Management

Add new users and authorize them as common user or admin users. Meanwhile, you can manage them.

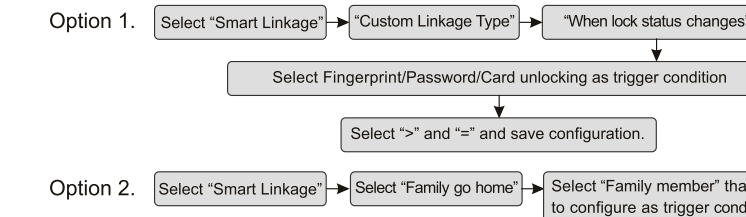
Note: For App admin users, they are with same permissions to manage the locks.



10

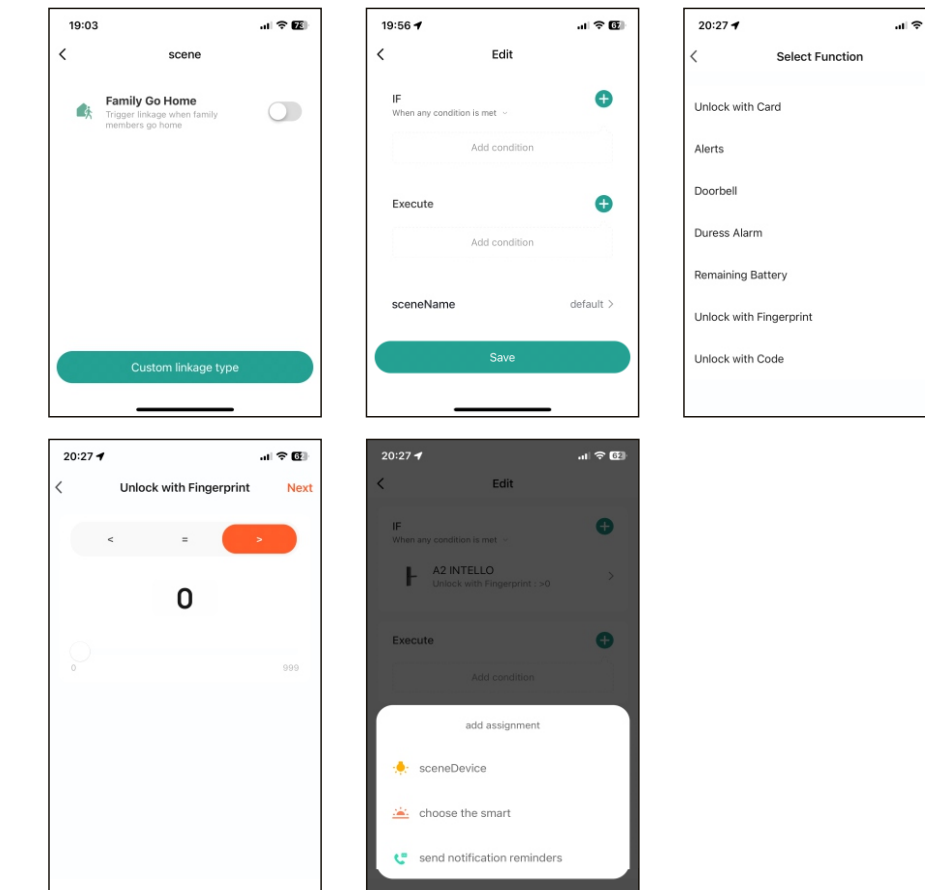
## Smart Linkage

2 ways for smart home configuration, configure it based on the requirements.



Note : I. For 1st, all registered Fingerprint/Password/Card can be regarded as "Trigger Condition" separately.

II. For 2nd, all registered Fingerprint/Password/Card (sorted to the family member) can be regarded as "Trigger Condition".



11

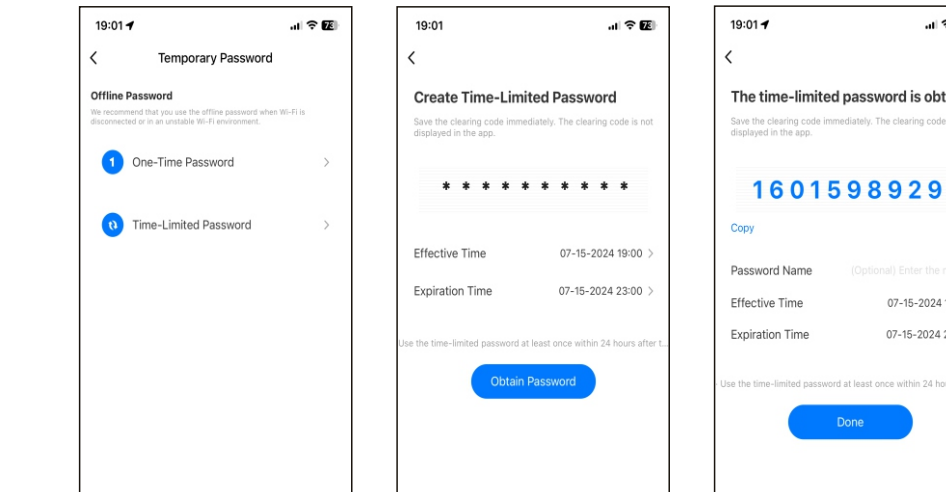
## Remote Unlocking

When some one press the doorbell, you would get one doorbell notification and authorize to unlock remotely.

## Temporary Password

You can generate "One-Time Password" and "Time-Limited Password" based on your requirements.

- Note: I. The lock time would be synced with the phone once the lock is added to the APP .  
 II. You need to wake up the lock via doorbell or others to make lock connect to the Internet, or not the password do not work .



12

## Other Functions

### Password Protection Function

Enter the wrong Fingerprint/Password/Card five times in 5 minutes, and the system will go into sleep mode for 90 seconds.

### Random Password Function

Add any numbers before or behind the real password to prevent other person to peep the real password.

### Low Voltage Alarm

When the voltage of installed batteries is lower than 4.8V, there will be a sound alarm after each opening, please replace in time.

### Anti-Prizing Alarm

If someone pry the front panel to break in, the lock would make alarming and send notification to your APP.

### Emergency Power Supply

When your battery is dead, charge the lock via one 5V Type-c power bank.

### Mechanical Key

If the electronic function not work, unlock the door via the mechanical key.