



A2 FIORI USER MANUAL

- Fingerprint
- Password
- Card
- Mobile APP
- Mechanical Key

Please register the admin users in time.
Ensure not to use consecutive repetitive numbers for your safety.

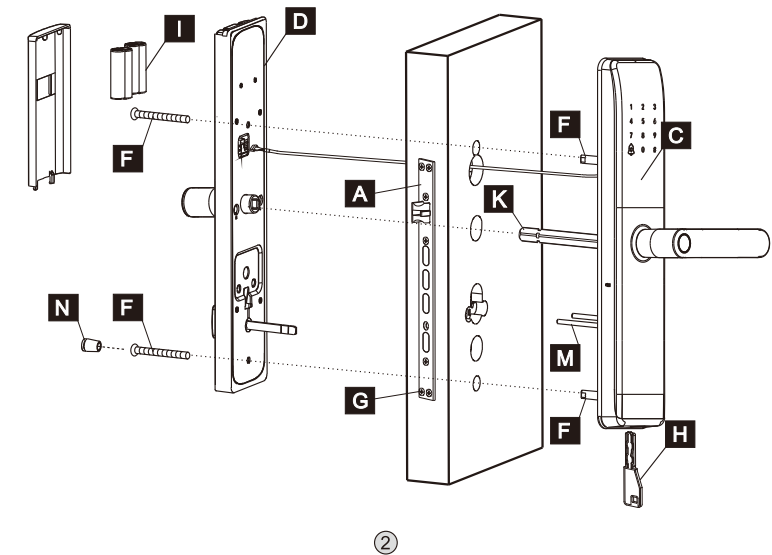
Safety Cautions

- The manual should be read thoroughly before operating the product.
- For security, the password should be changed regularly.
- When the batteries are flat, all batteries should be replaced together with new ones rather than used ones.
- Do not install, disassemble or repair without the assistance of a product technician.

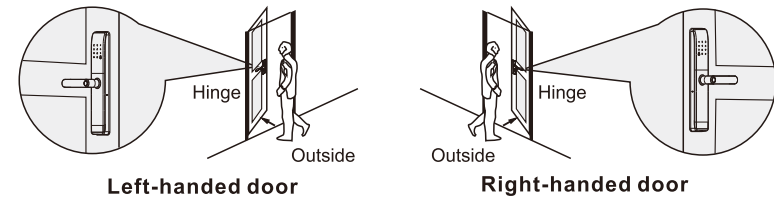
Product Components

A Mortise Lock	B Strike plate/Strike box Wooden door	C Front panel	D Back panel	F Retaining stud, screw F1:Door thickness 45-55mm M5×35 M5×35 F2:Door thickness 56-70mm M5×35 M5×50 F3:Door thickness 71-90mm M5×60 M5×50
G Tapping screw Wooden door 8pcs	H Key 2pcs	I AA battery (Optional) 4pcs	J Socket head cap screw M5 2pcs	K Spindle For 45-70mm doors For 70-90mm doors
L Hex wrench	M Fixing Columns 2pcs	N Rubber plug	O Card	

Installation Axial View (right-handed door)

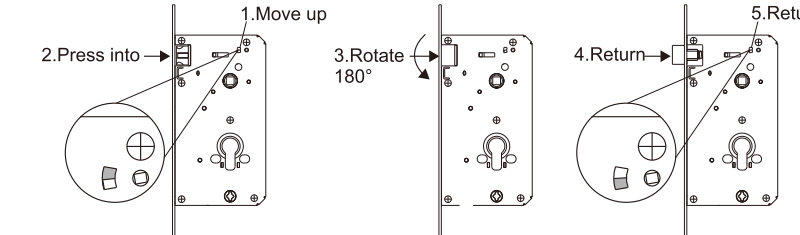


Confirm The Open Direction Of Door

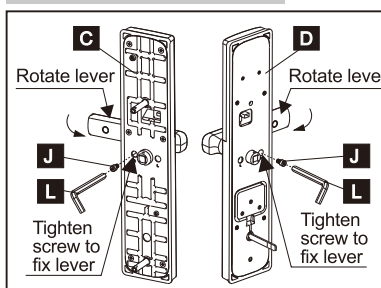


Mortise Lock Direction Chagement Description

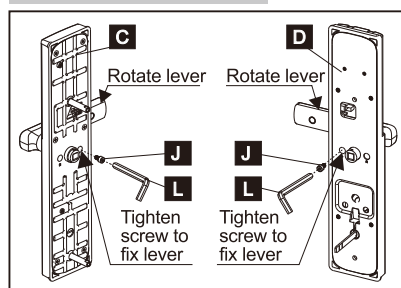
If the latchbolt's slope is not facing the direction of closing door, please adjust it as below:



Right-handed door



Left-handed door

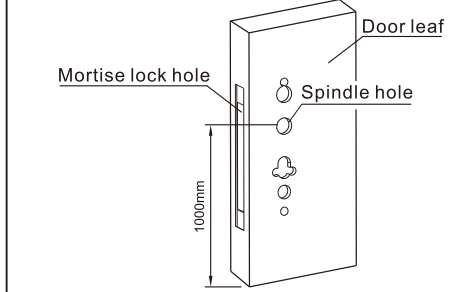


Note: Make sure the indicator of anti-peep hole button is red when operation.

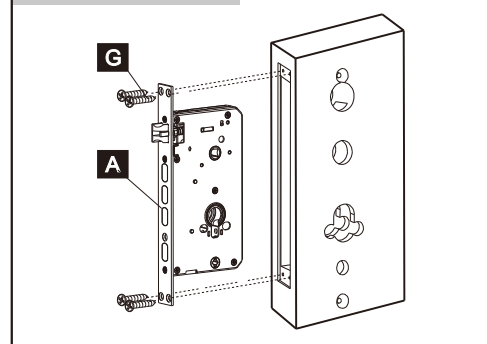
Installation Steps(right-handed door)

Marking and Drilling

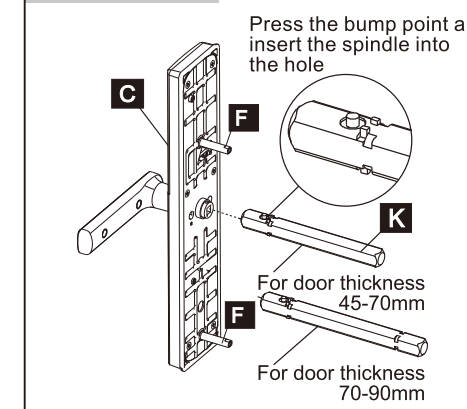
Marking and drilling holes on door leaf and frame according to installation drawing



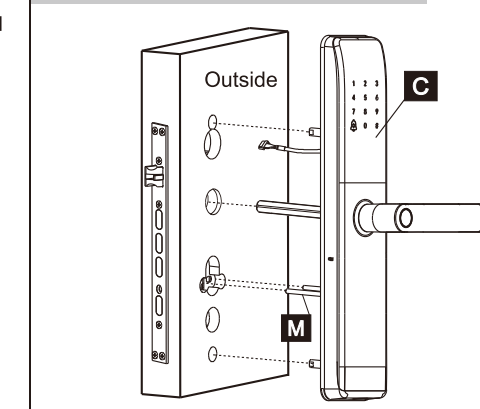
Install mortise lock



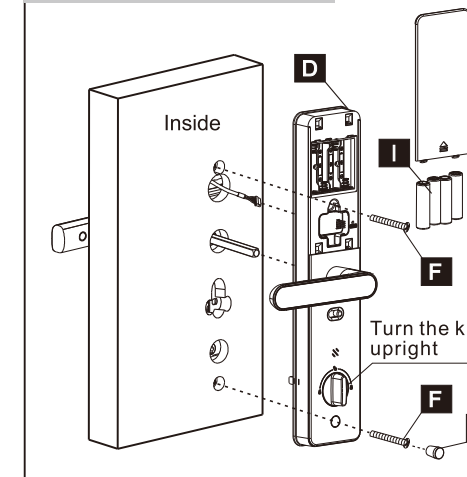
Install spindle



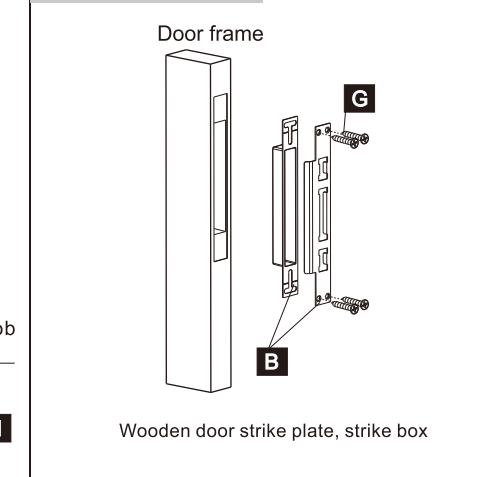
Install the outside cover plate



Install the inside panel



Install strike plate



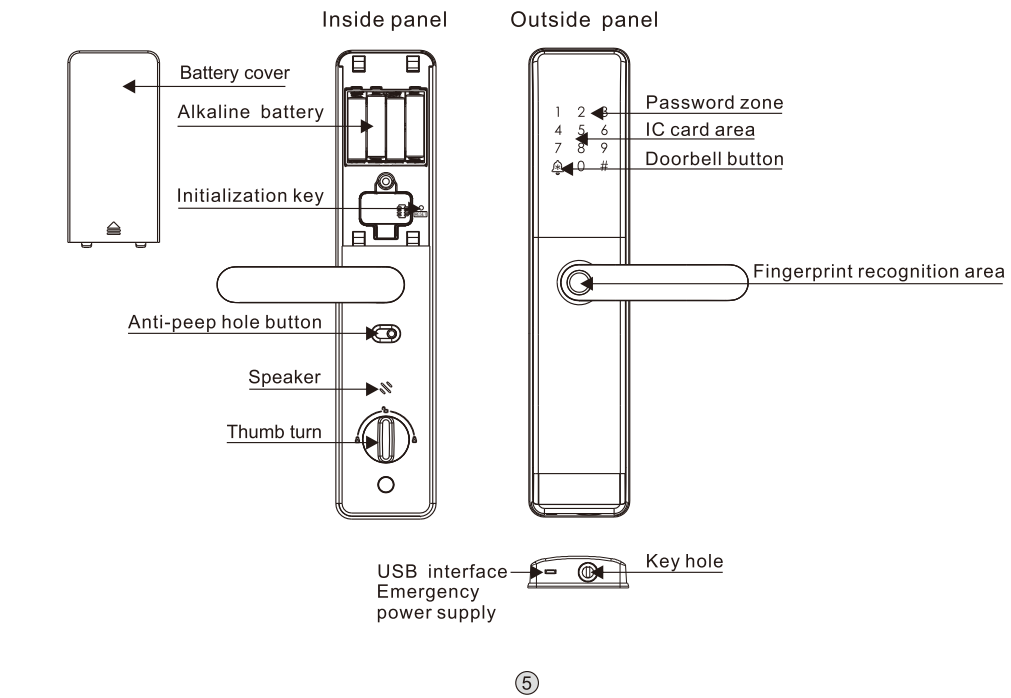
Product Specification

Unlocking Way: Fingerprint /Password /Card/Key / Mobile APP
User Capacity : 100PCS Fingerprint (1Pcs Admin)
20PCS Password (1Pcs Admin)
100PCS IC Card

User Management: Via APP & Setting Mode
Fingerprint Type: RF Semiconductor Fingerprint
Dual Verification: Yes
Mortise Lock: K6068 Mechanical Mortise
Main Material: Aluminum Alloy

Power: 4.6V-6.5V (4PCS LR6 AA Alkaline batteries)
Emergency Power Supply: Micro USB
Working Temperature: -25°C - +70°C
Humidity: 20% -95%
Door Thickness: 45-70mm
70-90mm

Graphic Description



Restore Factory Setting

- 1.Remove the battery cover from the back panel.
- 2.Keep pressing the "initialization key" more than 5s, When you hear the prompt "Initialization, press # to confirm or press * to exit".
- 3.Press # to confirm, the number would flash and give notification "restore factory mode succeed".

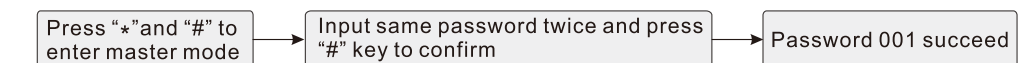


Demo Mode

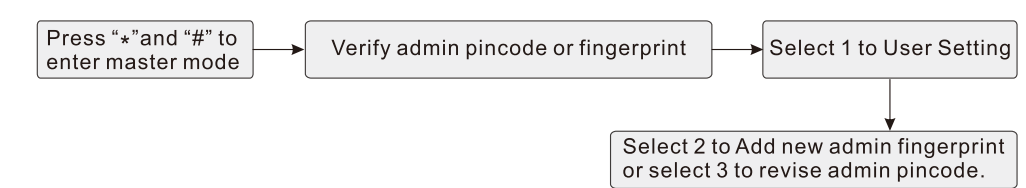
Under demo mode, any fingerprint/pincode/card can unlock, please register the admin users timely.

Administrator Management

a. Add First Admin Pincode



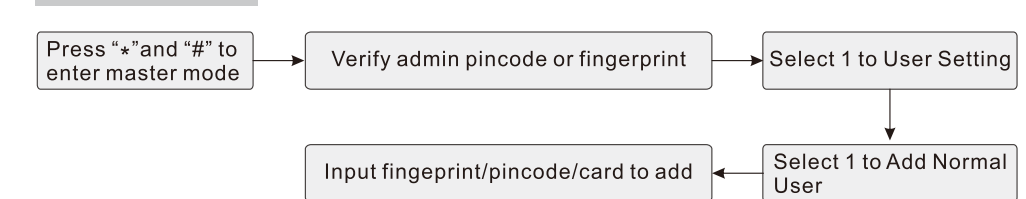
b. Add or Revise Admin



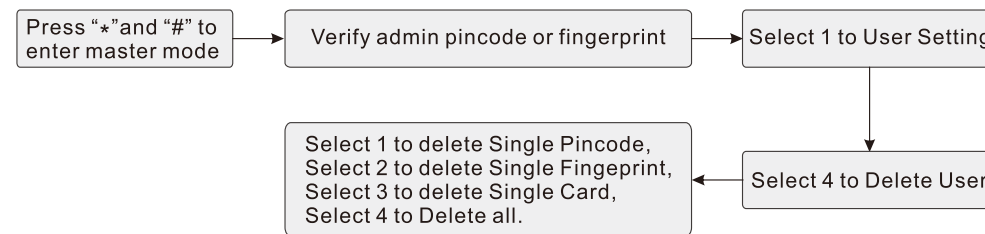
Note:

- I. This model comes with 1pcs admin pincode and 1 admin fingerprint, need to verify the admin users to make local system setting.
- II. After revising the admin fingerprint or pincode, the old admin users would be invalid.

Add Normal User

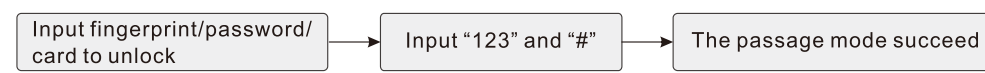


Delete User



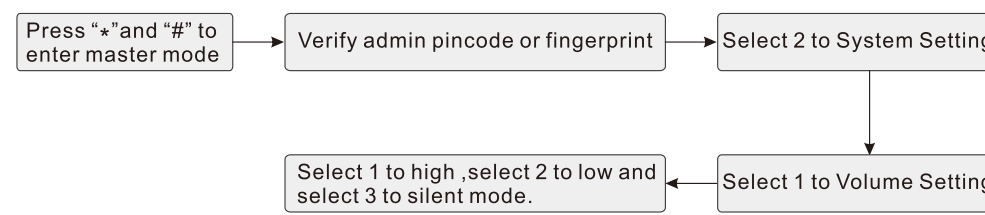
- Note:
- To delete single pincode/fingerprint /card, you can input the user ID number or verify the one you prefer to delete on the lock.
 - To delete all, you can delete all normal pincode/fingerprint/card users in one time.
 - The admin users can not be delete via the delete user menu.

Passage Mode



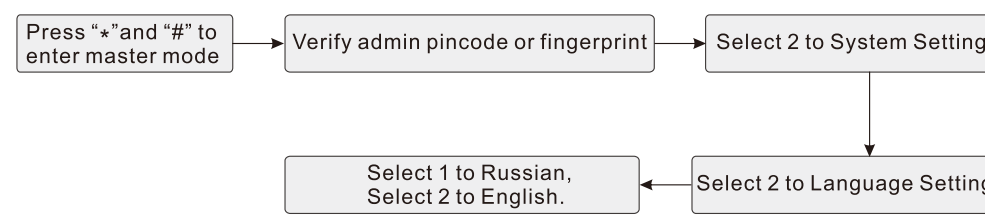
- Note:
- Under passage mode, the lock would be always open.
 - After right fingerprint/password/card verification, the passage mode would be cancelled.

Volume Setting

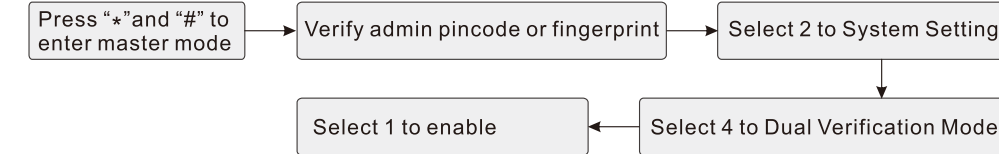


- Note:
- Under Silent mode, there is no voice during daily operation and no doorbell.

Language Setting



Dual Verification Function

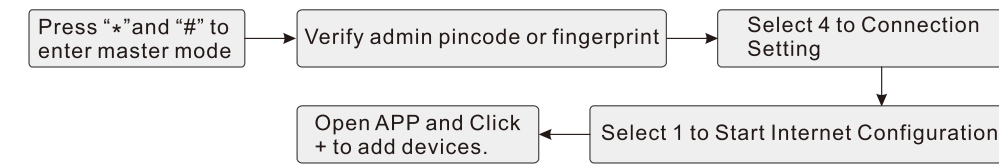


- Note:
- The default standard is with single verification
 - Under dual-verification mode, you need to verify 2 users to unlock the door, such as "Fingerprint + Pincode" or "fingerprint +card" or "pincode +card".

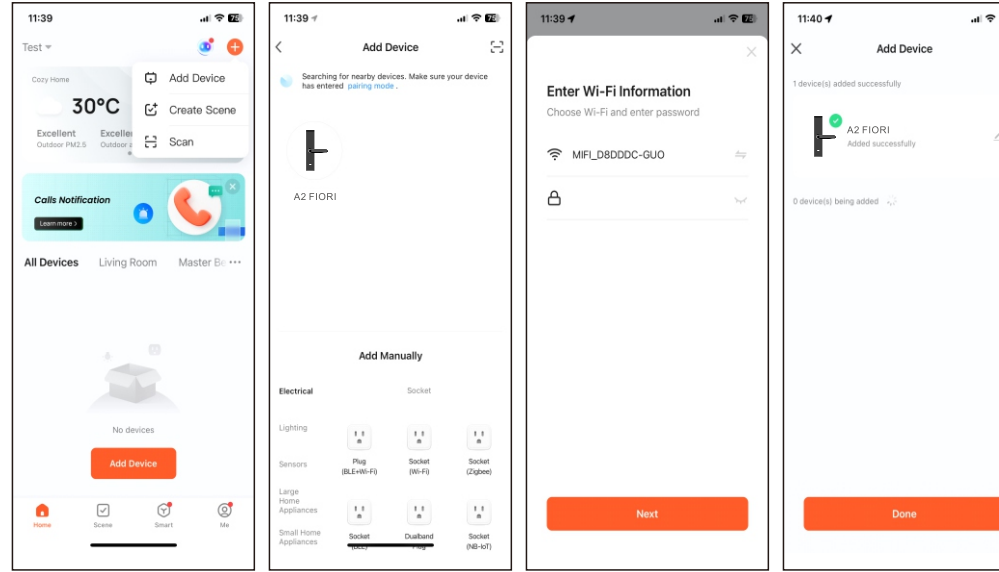
Mobile APP Download

Download "A2 SMART LIVING" from APP Store or Google market, open the APP and register the user via Email or Mobile number.

APP Adding

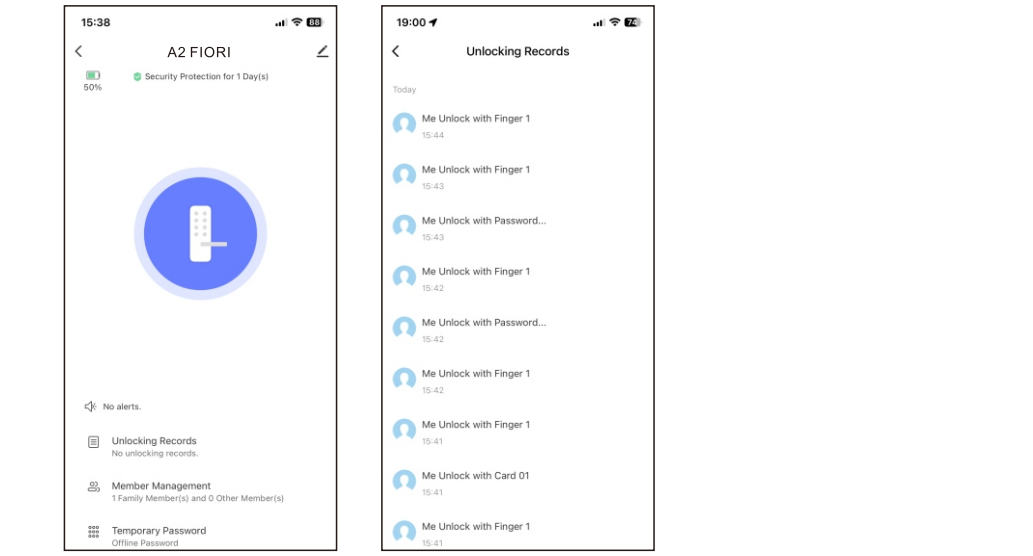


- Note:
- The APP would search available smart lock devices automatically.
 - During adding, please make sure your phone and lock are with same Internet.



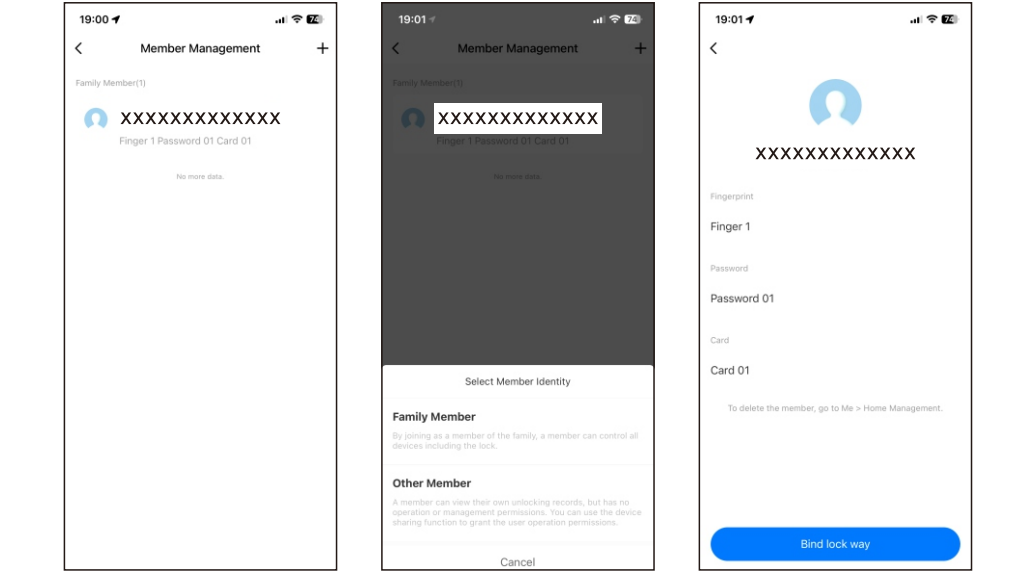
APP Operation

Access Records
After unlocking with fingerprint/password /card, you can sort them to different users and rename them via "Member Management" menu.



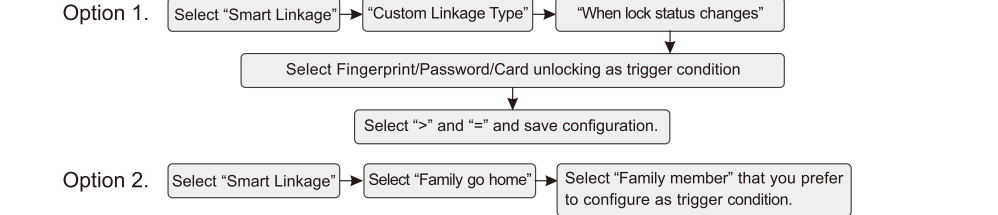
Member Management

Add new users and authorize them as common user or admin users. Meanwhile, you can manage them. Note: For App admin users, they are with same permissions to manage the locks.

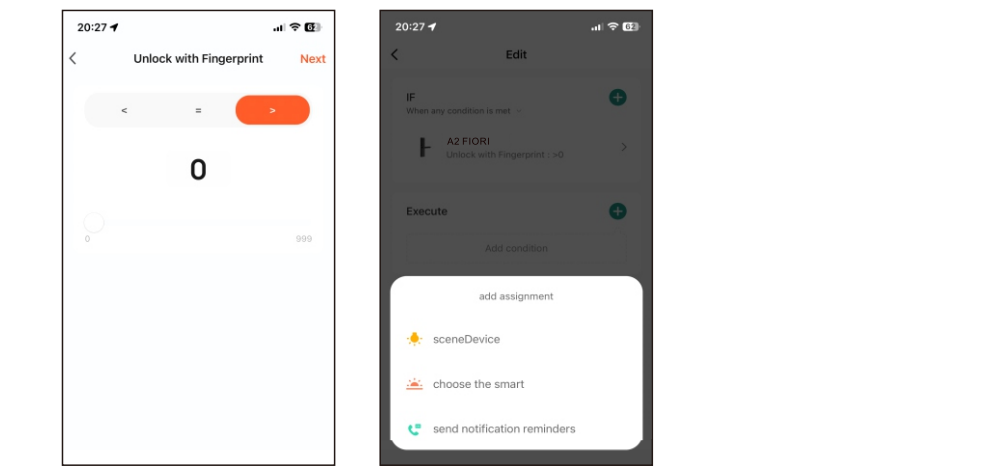
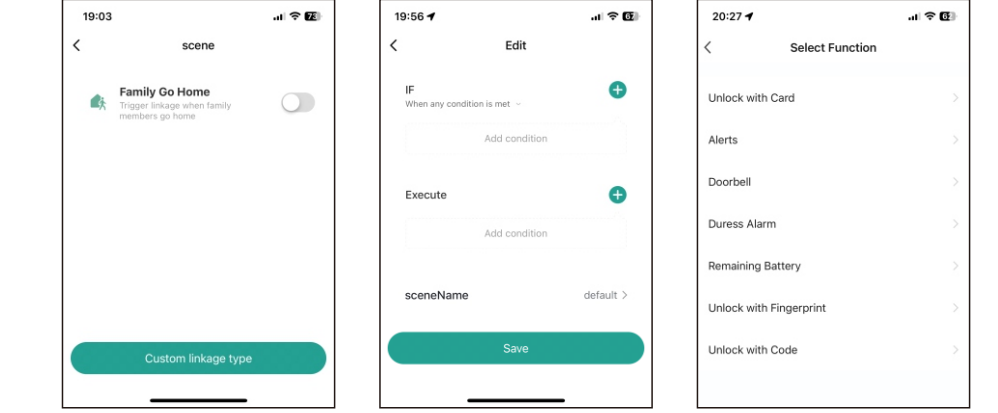


Smart Linkage

2 ways for smart home configuration, configure it based on the requirements.



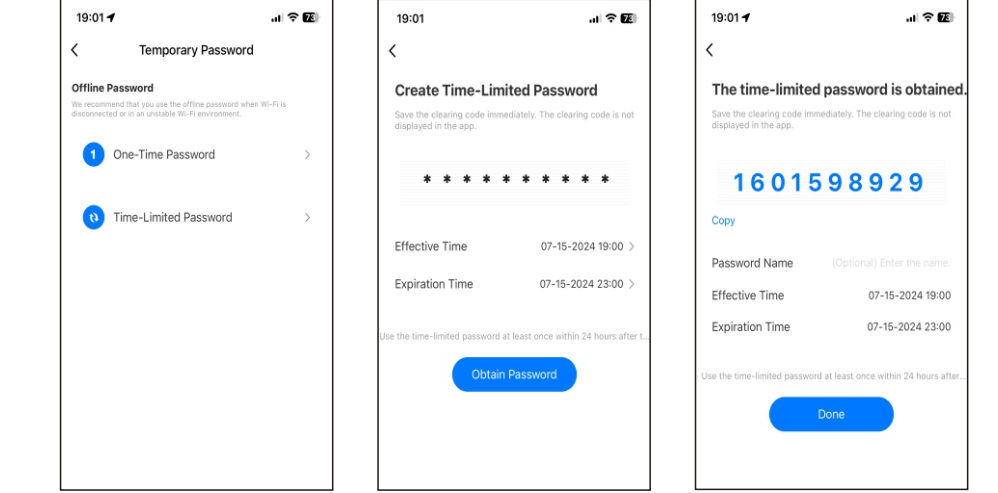
- Note:
- For 1th, all registered Fingerprint/Password/Card can be regarded as "Trigger condition" separately.
 - For 2nd, all registered Fingerprint/Password/Card (sorted to the family member) can be regarded as "Trigger condition".



Remote Unlocking
When some one press the doorbell, you would get one doorbell notification and authorize to unlock remotely.

Temporary Password

You can generate "one-time Password" and "Time-Limited Password" based on your requirements. Note: I. The lock time would be synced with the phone once the lock is added to the APP. II. You need to wake up the lock via doorbell or others to make lock connect to the Internet, or not the password do not work.



Other Functions

Password Protection Function

Enter the wrong fingerprint/password/card five times in 5 minutes, and the system will go into sleep mode for 180 seconds.

Random Password Function

Add any numbers before or behind the real password to prevent other person to peep the real password.

Low Voltage Alarm

When the voltage of installed batteries is lower than 4.8V, there will be a sound alarm after each opening, please replace in time.

Anti-Prizing Alarm

If someone pry the front panel to break in, the lock would make alarming and send notification to your APP.

Emergency Power Supply

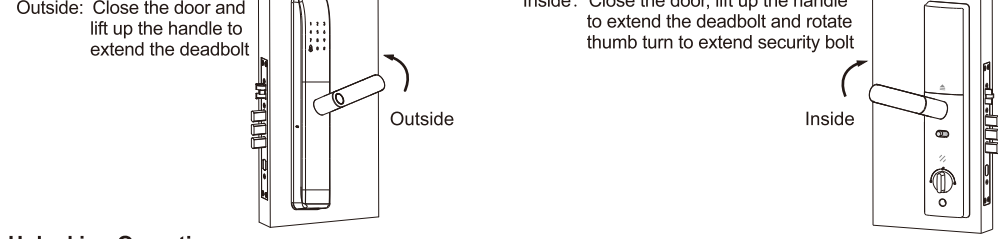
When your battery is dead, charge the lock via one 5V Micro USB power bank.

Mechanical Key

If the electronic function not work, unlock the door via the mechanical key.

Locking & Unlocking

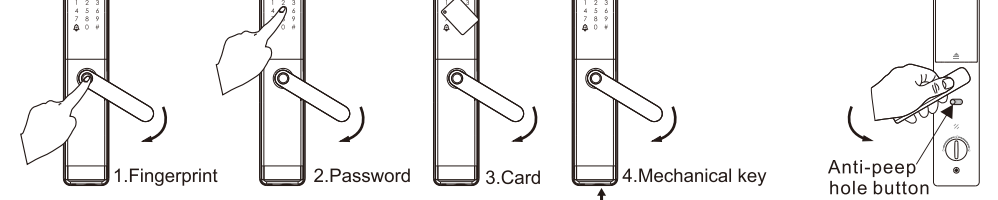
Locking Operation



Unlocking Operation

- Fingerprint: put finger onto fingerprint reader, after verification and push down the handle to open the door.
- Password: enter the 6-digit password and then tap #, after verification and push down the handle to open the door.
- Card: put the card on card reader area, after verification and push down the handle to open the door.
- Mechanical Key: insert and turn the key at the bottom, and then push down the handle to open the door.
- Mobile APP: When someone press the doorbell to connect the lock to Internet, you can authorize to unlock the door remotely.

Notice: If the door is locked inside, all fingerprint /password/card/keys/app can not unlock the door.



Trouble Shooting

Symptoms of malfunction	Possible analysis	Solution
Fingerprint verified, but cannot unlock the lock.	Push down lever too fast	After the voice, slowly push down the lever
Low battery warning	Battery almost run out	Replace all batteries immediately
Finger authentication failed	1.Fingerprint is not registered 2.Fingerprint is dirty or wet 3.Fingerprint is dry 4.Fingerprint is not placed well	1.Use a registered fingerprint 2.Clean fingerprint and re-try 3.Get fingerprint wet a little and re-try 4.Adjust fingerprint position and re-try
Password authentication failed	1.Not registered password 2.Wrong password	1.Register a password before using 2.Enter the correct password
Lock does not respond	If lock cannot be activated, battery might run out	Use power bank to power the lock via the USB port.
Non-stop alarming	Anti-pick function is triggered	1.Take the caution of potential burglar. 2.Please remove 1pc battery, alarm can be stopped. Then tighten the screw of the lower panel, re-assemble back panel and battery. Should alarm still cannot be stopped, please contact the dealer.