



Sakura Silent Push Pull Door Lock Set

8° Door Opening Extremely Quiet

8° push and pull to open the door easily, open the door regardless of left and right, turn over the silent lock body 5572 European standard lock body specification, 8mm ultra-thin gear cover.





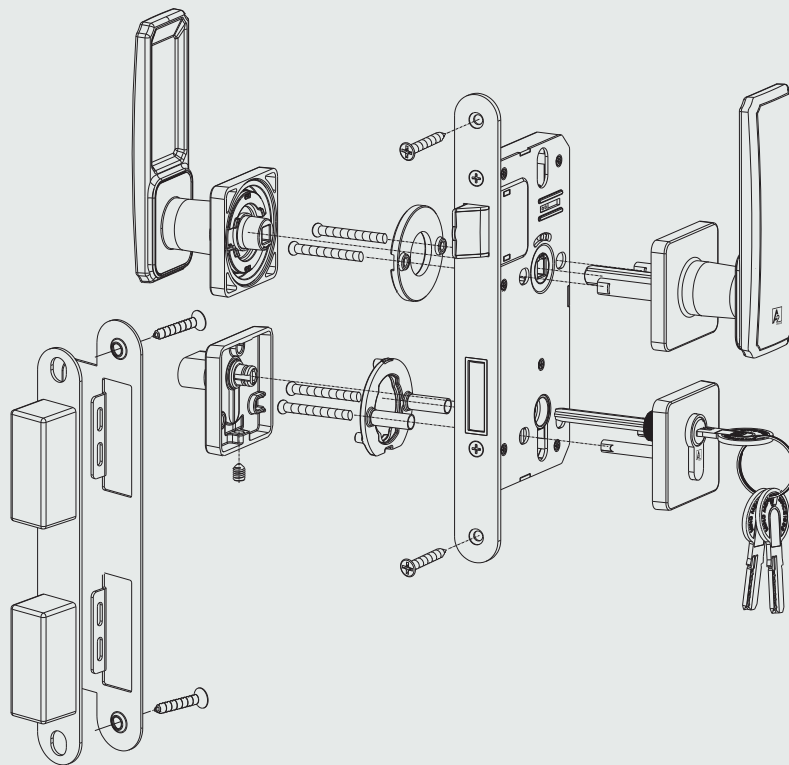
Sakura Silent Push Pull Door Lock Set

Series Product Attributes:

Product Function: Opening or closing door via push-pull, no distinction between left and right installation.

- Product Features:
1. Open or close the door with just 8 degree pushes/pulls.
 2. No difference between left or right installation
 3. Flippable buffer latch make door opening or closure easy and quite
- Suitable Door Thickness: 40-50mm
Backset : 55mm
Center Distance: 72mm

Installation Auxiliary View (Right-hand door example below):







SK 501

Parameters

Main material : Zinc Alloy

Mortise : Push Pull Silent Mortise

Feature : Brass cylinder with 3 computerized keys

Door Thickness : 40-50mm

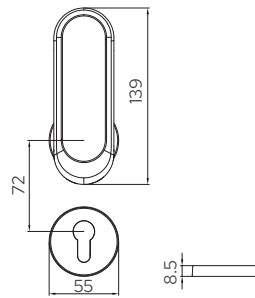
Application : Interior Doors



Matte Gunblack



Satin Gold



SK 502

Parameters

Main material : Zinc Alloy

Mortise : Push Pull Silent Mortise

Feature : Brass cylinder with 3 computerized keys

Door Thickness : 40-50mm

Application : Interior Doors



Matte Gunblack



Antique Bronze Copper

