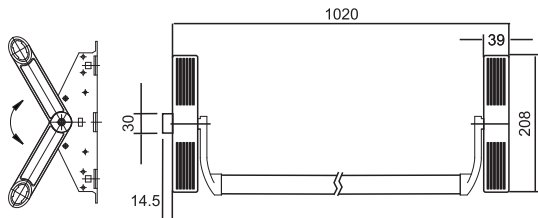
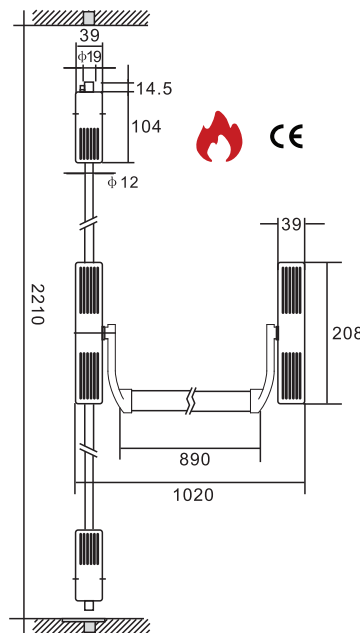


PED 100 Series Panic Exit Device



PED 101 : Rim Type Single Point Panic Exit Device

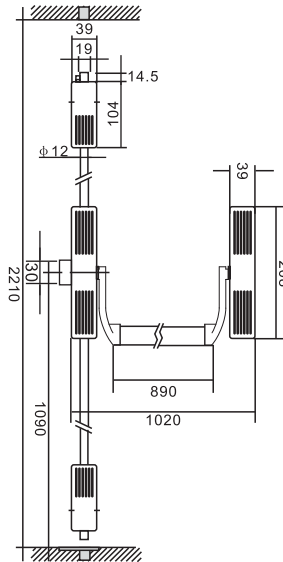
- Aesthetically designed suitable for commercial building, hospitals or other public buildings
- Slight pressure on the device touch bar will retract the latch for immediate exit
- A lateral lock point, Powder metal or Zinc latch swing latch
- Non-handed, suit for LH or RH doors.
- Oval Shape Horizontal Bar
Standard: 900mm,
Max 1300mm on request
- Works with TRM 100



PED 102 : Rim Type 2 Point Panic Exit Device

- Aesthetically designed suitable for commercial building, hospitals or other public buildings
- Non-handed, suit for LH or RH doors
- Vertical type, 2 locking points, upper and lower locking device
- Standard Height: 2210mm
- Oval Shape Horizontal Bar
Standard: 900mm
Max 1300mm on request

PED 100 Series Panic Exit Device



PED 103 : Rim Type 3 Point Panic Exit Device

- Easy to install on wooden, hollow steel or aluminum doors
- 3 locking points, upper, lower and lateral locking device
- Non-handed, suit for both right hand and left hand door
- Standard height: 2210mm
Max 2500mm on request
- Oval Shape Horizontal Bar
Standard: 900mm,
Max 1300mm on request



PED 104 : Mortise Type Panic Exit Device

- Easy to install on wooden, hollow steel or aluminum doors
- Suitable for Mortise lock body
- Non-handed, suit for both right hand and left hand door
- Oval Shape Horizontal Bar
Standard: 900mm
Max 1300mm on request
- The Square Spindle 8x8, Optional 9x9