

Fire Rated Mortise Lock Series

Mortice Lock ML1072 Series

Application

A2 Sweden ML1072 Series Mortise Lock is designed for high frequency usage applications such as public access buildings where deliberate abuse likely takes place

Specifications and Features

- Modular case across functions for rapid door prepping and installation
- 72mm centers, backset in 50/55/60/65mm
- 8mm follower with spindle gripping function
- Reversible latch bolt in solid stainless steel
- Double throw deadbolt in solid stainless steel with 20mm projection
- Suitable for sprung and most un-sprung lever furniture
- Stainless steel faceplate and strike in square and radius version (radius version improves door prep efficiency with machine routing)
- Compatible with bolt through furniture and escutcheons of 38mm centers

Standards and Certification

EN Successfully type-tested for conformity to all of requirement of EN12209: 2003

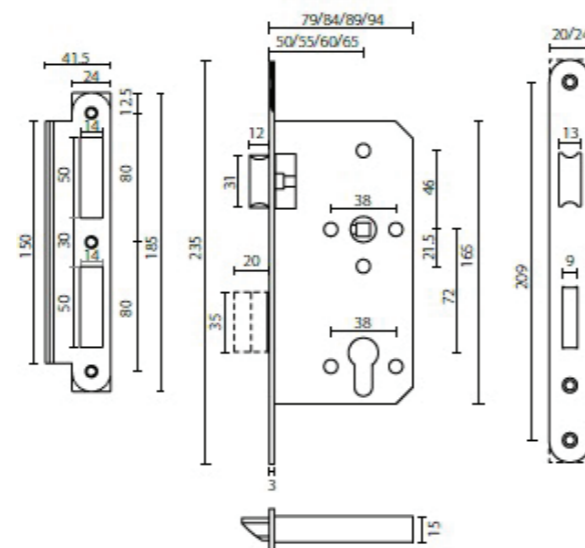
Exova Successfully passed and exceeded 240-minutes fire test of metal fire door assemblies to EN1634-1:2014

CE CE Declaration of Conformity available upon request

W Meets the dimensional recommendations of BS8300 and Approved Document "M"

certifire A2 Sweden ML1072 series locks are approved by Certifire.

warrington All EN/CE/Certifire tests performed independently and certified by Exova/Warrington Fire/Warrington APT.



Fire Rated Mortise Lock Series

ML 1072

ML107201
Sashlock/Entry
72mm Center



- 50mm Backset: ML107201-50
- 55mm Backset: ML107201-55
- 60mm Backset: ML107201-60
- 65mm Backset: ML107201-65

ML107202
Latch/Passage
72mm Center



- 50mm Backset: ML107202-50
- 55mm Backset: ML107202-55
- 60mm Backset: ML107202-60
- 65mm Backset: ML107202-65

ML107203
Deadlock/
Communicating
72mm Center



- 50mm Backset: ML107203-50
- 55mm Backset: ML107203-55
- 60mm Backset: ML107203-60
- 65mm Backset: ML107203-65

ML107205
Bathroom/Privacy
78mm Center



- 50mm Backset: ML107205-50
- 55mm Backset: ML107205-55
- 60mm Backset: ML107205-60
- 65mm Backset: ML107205-65

ML107204
Nightlatch/
Storeroom
72mm Center



- 55mm Backset: ML107204-55
- 60mm Backset: ML107204-60

ML107206
Emergency/
Escape Entry
72mm Center



- 60mm Backset: ML107206-60

ML107207
Roller Latch
72mm Center



- 55mm Backset: ML107207-55
- 60mm Backset: ML107207-60
- 65mm Backset: ML107207-65

ML107208
Classroom
72mm Center



- 55mm Backset: ML107208-55
- 60mm Backset: ML107208-60

ML107209
Anti-thrust
Nightlatch
72mm Center



- 55mm Backset: ML107209-55
- 60mm Backset: ML107209-60

Fire Rated Mortise Lock Series

Mortice Lock ML2072 Series

Application

A2 Sweden ML2072 Series Mortise Lock is designed for high frequency usage applications such as public access buildings where deliberate abuse likely takes place

Specifications and Features

- Modular case across functions for rapid door prepping and installation
- 72mm centers, backset in 50/55/60/65mm
- 8mm follower with spindle gripping function
- Reversible latch bolt in solid Brass
- Double throw deadbolt in solid Steel with 20mm projection
- Suitable for sprung and most un-sprung lever furniture
- Stainless steel faceplate and strike in square and radius version (radius version improves door prep efficiency with machine routing)
- Compatible with bolt through furniture and escutcheons of 38mm centers

Standards and Certification

EN Successfully type-tested for conformity to all of requirement of EN12209: 2003

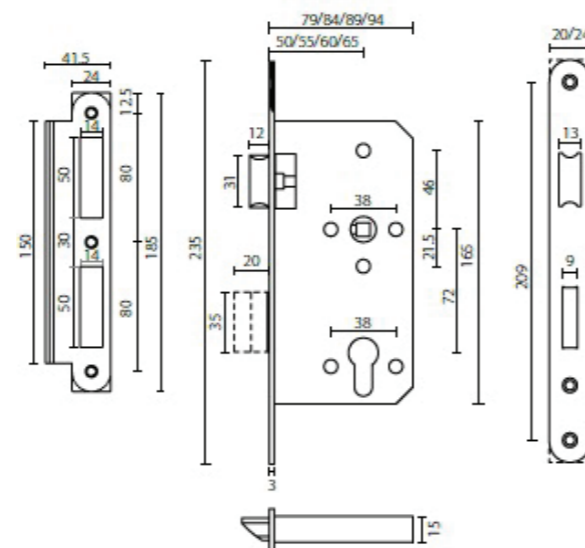
Exova Successfully passed and exceeded 240-minutes fire test of metal fire door assemblies to EN1634-1:2014

CE CE Declaration of Conformity available upon request

W Meets the dimensional recommendations of BS8300 and Approved Document "M"

certifire A2 Sweden ML2072 series locks are approved by Certifire.

warrington All EN/CE/Certifire tests performed independently and certified by Exova/Warrington Fire/Warrington APT.



Fire Rated Mortise Lock Series

ML 2072

ML207201
Sashlock/Entry
72mm Center



- 50mm Backset: ML207201-50
- 55mm Backset: ML207201-55
- 60mm Backset: ML207201-60
- 65mm Backset: ML207201-65

ML207202
Latch/Passage
72mm Center



- 50mm Backset: ML207202-50
- 55mm Backset: ML207202-55
- 60mm Backset: ML207202-60
- 65mm Backset: ML207202-65

ML207203
Deadlock/
Communicating
72mm Center



- 50mm Backset: ML207203-50
- 55mm Backset: ML207203-55
- 60mm Backset: ML207203-60
- 65mm Backset: ML207203-65

ML207205
Bathroom/Privacy
78mm Center



- 50mm Backset: ML207205-50
- 55mm Backset: ML207205-55
- 60mm Backset: ML207205-60
- 65mm Backset: ML207205-65

ML207204
Nightlatch/
Storeroom
72mm Center



- 55mm Backset: ML207204-55
- 60mm Backset: ML207204-60

Fire Rated Mortise Lock Series

Mortice Lock ML1085 Series

Application

A2 Sweden ML1085 Series Mortise Lock is designed for high frequency usage applications such as public access buildings where deliberate abuse likely takes place

Specifications and Features

- Modular case across functions for rapid door prepping and installation
- 85mm centers, backset in 40/45/50/60mm
- 8mm follower with spindle gripping function
- Reversible latch bolt in solid stainless steel
- Double throw deadbolt in solid stainless steel with 20mm projection
- Suitable for sprung and most un-sprung lever furniture
- Stainless steel faceplate and strike in square and radius version (radius version improves door prep efficiency with machine routing)
- Compatible with bolt through furniture and escutcheons of 38mm centers

Standards and Certification

EN Successfully type-tested for conformity to all of requirement of EN12209: 2003

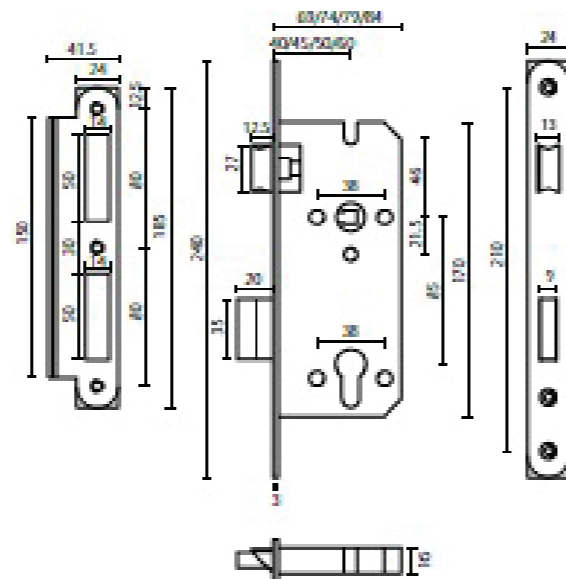
Exova Successfully passed and exceeded 240-minutes fire test of metal fire door assemblies to EN1634-1:2014

CE CE Declaration of Conformity available upon request

W Meets the dimensional recommendations of BS8300 and Approved Document "M"

certifire A2 Sweden ML1085 series locks are approved by Certifire.

warrington certification All EN/CE/Certifire tests performed independently and certified by Exova/Warrington Fire/Warrington APT.



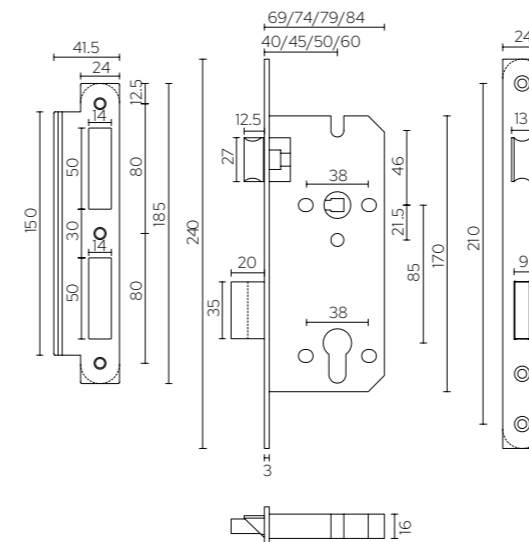
Fire Rated Mortise Lock Series

ML1085

ML108501
Sashlock/Entrance
85mm Center



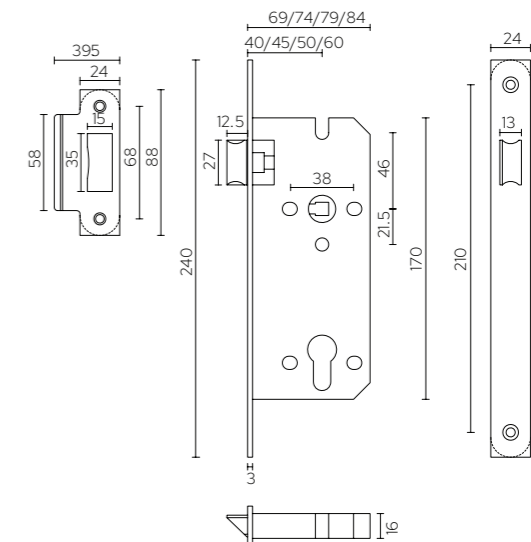
40mm Backset: ML108501-40
45mm Backset: ML108501-45
50mm Backset: ML108501-50
60mm Backset: ML108501-60



ML108502
Latch/Passage
85mm Center



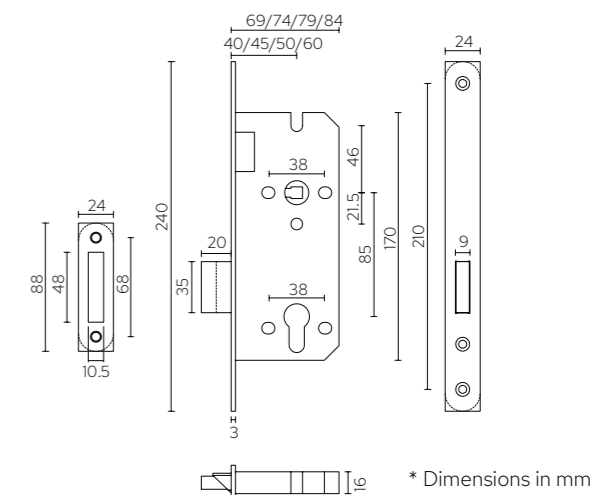
40mm Backset: ML108502-40
45mm Backset: ML108502-45
50mm Backset: ML108502-50
60mm Backset: ML108502-60



ML108503
Deadlock/
Communicating
85mm Center



40mm Backset: ML108503-40
45mm Backset: ML108503-45
50mm Backset: ML108503-50
60mm Backset: ML108503-60



* Dimensions in mm

Fire Rated Mortise Lock Series

Mortice Lock ML2085 Series

Application

A2 Sweden ML2085 Series Mortise Lock is designed for high frequency usage applications such as public access buildings where deliberate abuse likely takes place

Specifications and Features

- Modular case across functions for rapid door prepping and installation
- 85mm centers, backset in 40/45/50/60mm
- 8mm follower with spindle gripping function
- Reversible latch bolt in solid Brass
- Double throw deadbolt in solid Steel with 20mm projection
- Suitable for sprung and most un-sprung lever furniture
- Stainless steel faceplate and strike in square and radius version (radius version improves door prep efficiency with machine routing)
- Compatible with bolt through furniture and escutcheons of 38mm centers

Standards and Certification

EN Successfully type-tested for conformity to all of requirement of EN12209: 2003

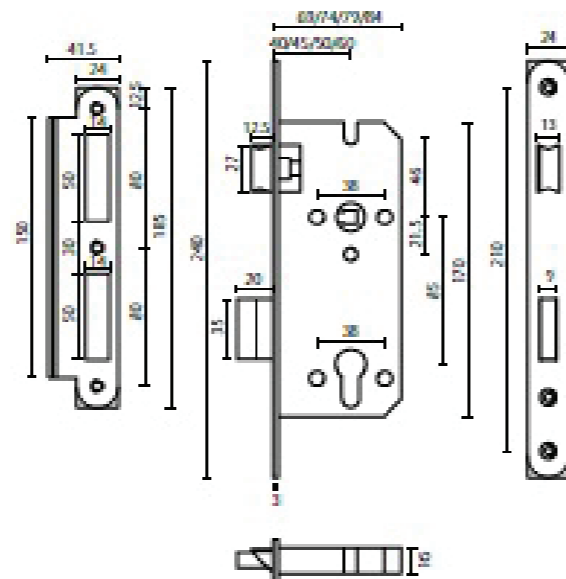
Exova Successfully passed and exceeded 240-minutes fire test of metal fire door assemblies to EN1634-1:2014

CE CE Declaration of Conformity available upon request

W Meets the dimensional recommendations of BS8300 and Approved Document "M"

certifire A2 Sweden ML2085 series locks are approved by Certifire.

warrington certification All EN/CE/Certifire tests performed independently and certified by Exova/Warrington Fire/Warrington APT.



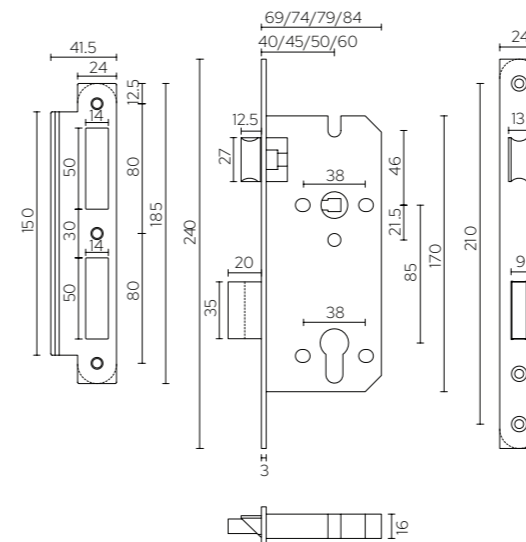
Fire Rated Mortise Lock Series

ML2085

ML208501
Sashlock/Entrance
85mm Center



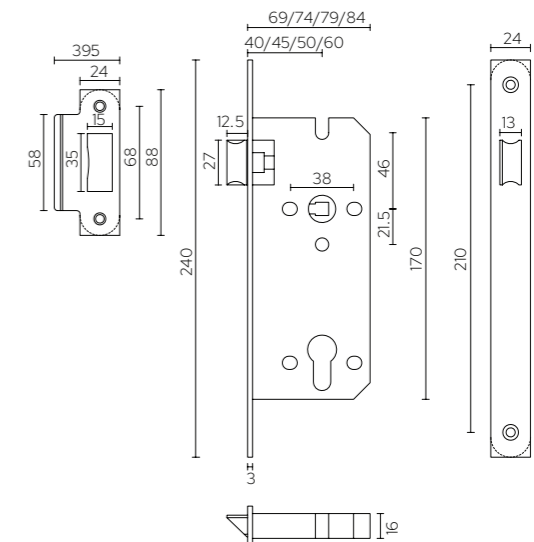
40mm Backset: ML208501-40
45mm Backset: ML208501-45
50mm Backset: ML208501-50
60mm Backset: ML208501-60



ML208502
Latch/Passage
85mm Center



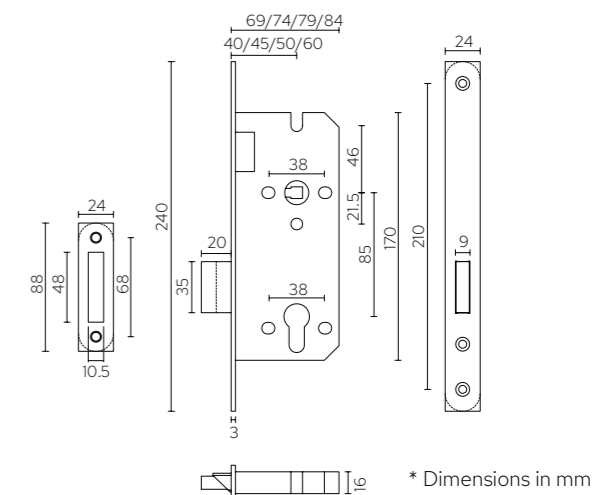
40mm Backset: ML208502-40
45mm Backset: ML208502-45
50mm Backset: ML208502-50
60mm Backset: ML208502-60



ML208503
Deadlock/
Communicating
85mm Center



40mm Backset: ML208503-40
45mm Backset: ML208503-45
50mm Backset: ML208503-50
60mm Backset: ML208503-60



* Dimensions in mm