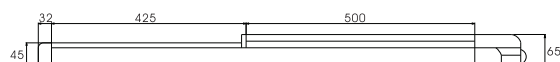
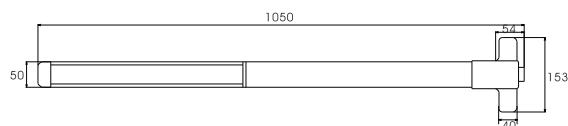


# PED 400 Series Panic Exit Device

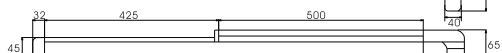
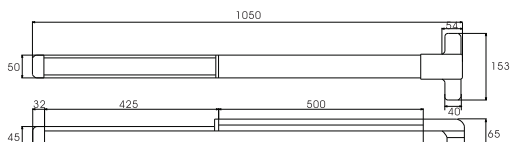
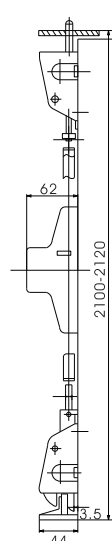
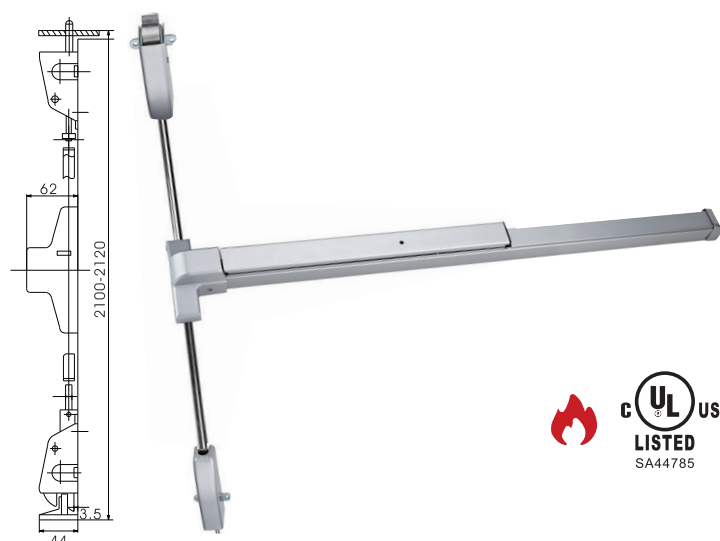


## PED 401 Rim Type Push Bar

- Type: American Style, Push bar, Rim Type
- Dogging by furnished Allen Key
- Security Latch bolt
- Material: Steel or Stainless Steel
- Length: Standard 1045mm, could be customized
- Non-handed, for LH or RH doors

### CLASSIFICATION

- PED 401P: Steel, Painted, half length push rail. UL listed
- PED 401P-1P: Steel, Painted, full length push rail. UL listed
- PED 401S: 304 Stainless Steel, half length push rail. UL listed
- PED 401S-1S: 304 Stainless Steel, full length push rail. UL listed



## PED 402 Rim Type Push Bar

- Type: American Style, Push bar, two locking points, UL listed
- Material: Steel or Stainless Steel
- Length: Standard 1045mm, could be customized
- Height: Standard 2100mm, could be customized
- Non-handed, for LH or RH doors
- Dogging by furnished Allen Key

### CLASSIFICATION

- PED 402P: Steel, Painted, half length push rail. UL listed
- PED 402-1P: Steel, Painted, full length push rail. UL listed
- PED 402S: 304 Stainless Steel, half length push rail. UL listed
- PED 402S-1S: 304 Stainless Steel, full length push rail. UL listed