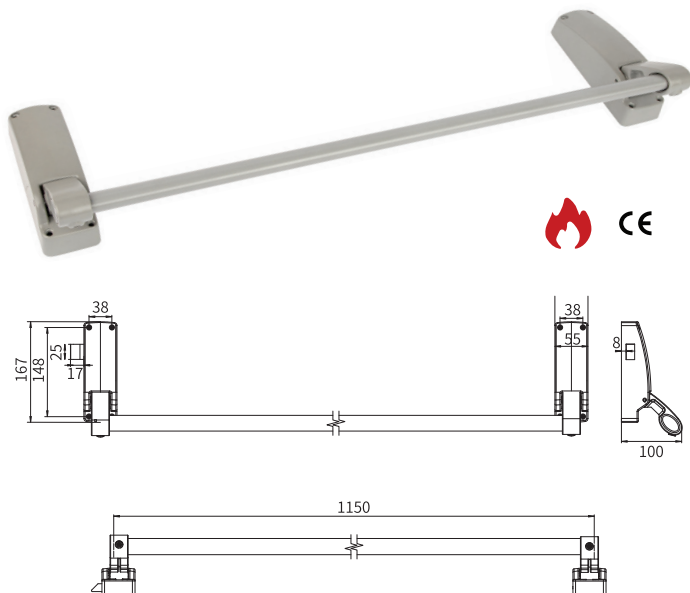


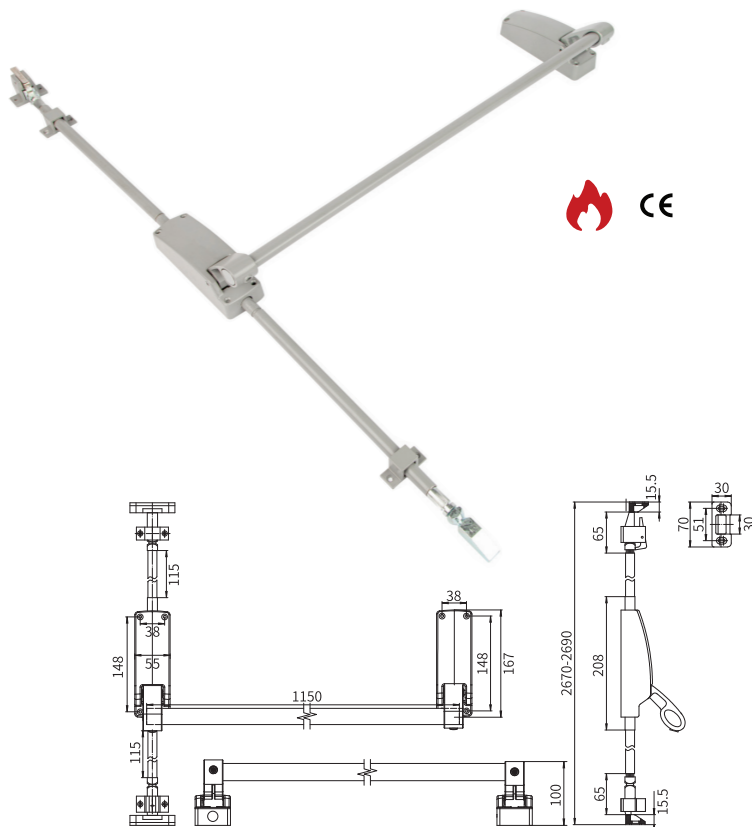
PED 200 Series Panic Exit Device



PED 201 : Rim Type Single Point Panic Exit Device



- Suitable for use on single doors and the first opening leaf of double doors
- Supplied in left or right hand, but can be reversed on site
- Double door strike available for double rebated door applications
- Oval Shape Horizontal Bar
Standard: 1120mm
Max 1300mm on request
- Works with TRM 201



PED 202 : Rim Type 2 Point Panic Exit Device



- Non-handed, suit for both right hand and left hand door
- Vertical type: Two point locking for extra security
- Suitable for use on single and double door application
- Oval shape horizontal bar,
Standard length: 1120mm,
Max 1300mm on request
- Standard height: 2500mm
Max 2800mm on request