

Silent Mortise Lock Series

SML 5572A

Mechanical Silent Mortise



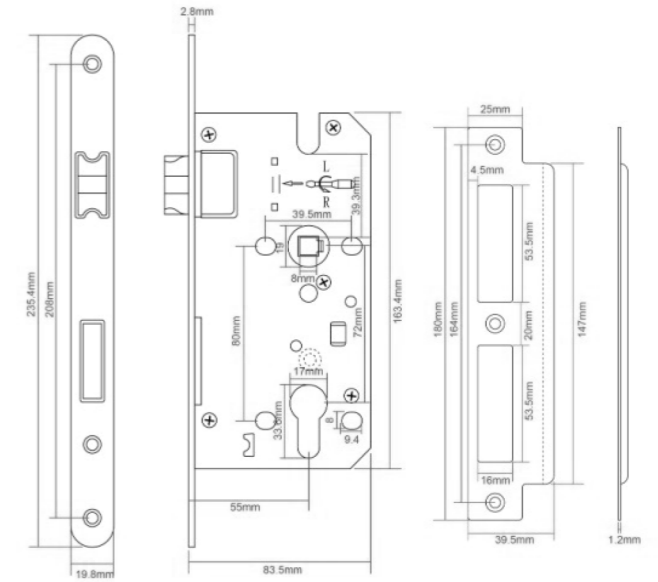
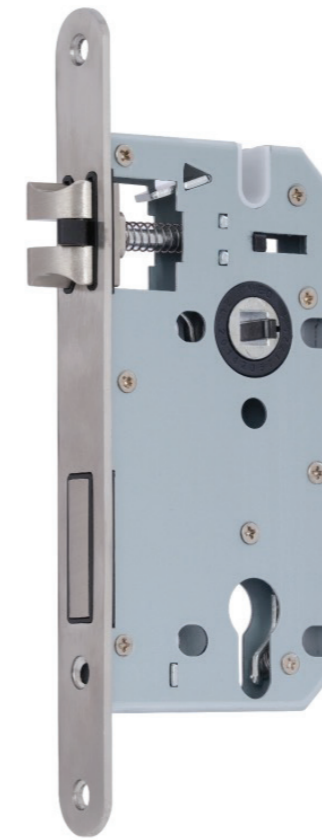
Patented pulling/ rotating/ reversing latch bolt design easy installation



Silent Mortise Lock Series

SML 5572B

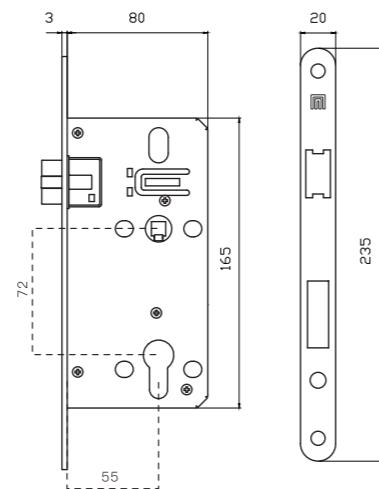
Mechanical Silent Mortise



	500K 500,000 times opening and closing of latch bolt	 Anti-Friction latch bolt design reduces the noise of lock tongue collision
--	--	--

	 Dust proof design avoids wood chips from entering	 Quality is guaranteed by fully automatic assembly
--	---	---

Parameters
 Center to center: 72mm
 Backset: 55mm
 Door thickness: 35-50mm
 Applicable scenarios: Wooden door, Metal door



	500K 500,000 times opening and closing of latch bolt	 Anti-Friction latch bolt design reduces the noise of lock tongue collision
--	--	--

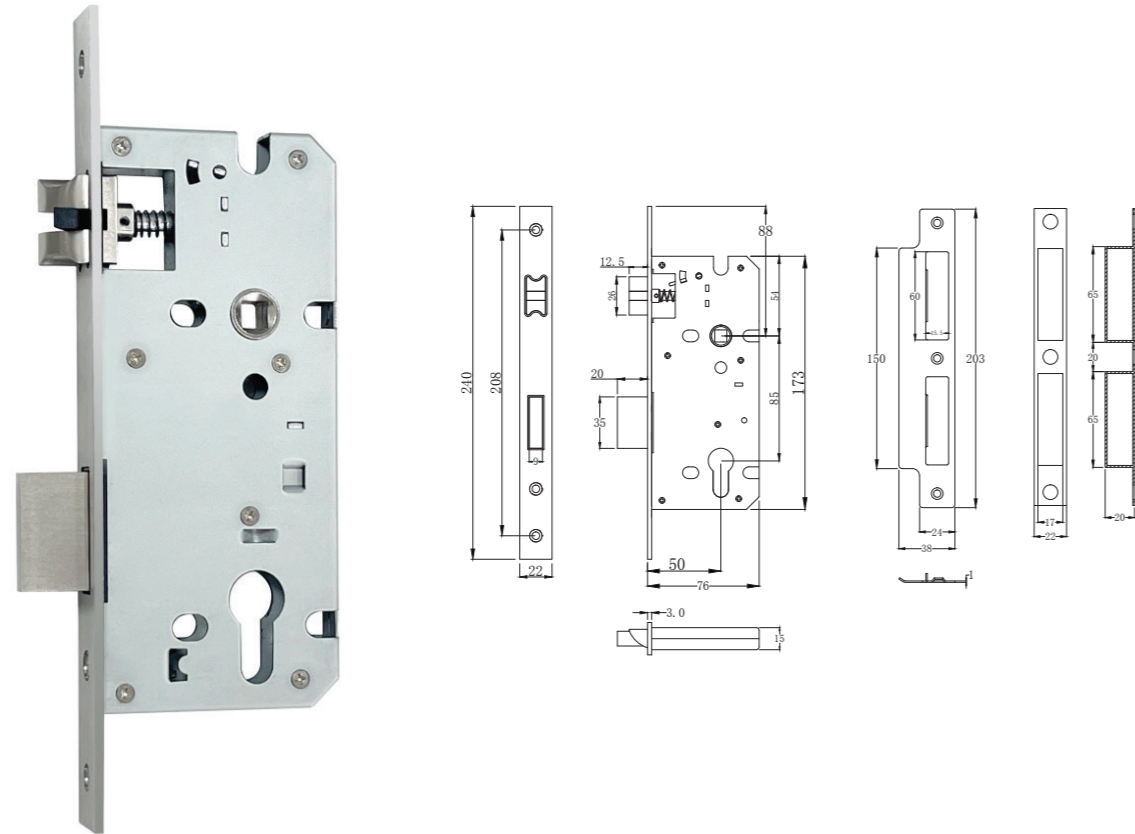
	 Dust proof design avoids wood chips from entering	 Quality is guaranteed by fully automatic assembly
--	---	---

Parameters
 Center to center: 72mm
 Backset: 55mm
 Door thickness: 35-50mm
 Applicable scenarios: Wooden door, Metal door

Silent Mortise Lock Series

SML 5085

Mechanical Silent Mortise



Buffering latch bolt design, more silent

500K

500,000 times opening and closing of latch bolt



Anti-Friction latch bolt design reduces the noise of lock tongue collision



Silent tongue with guided sleeve design for noise reduction



Dust proof design avoids wood chips from entering



Quality is guaranteed by fully automatic assembly

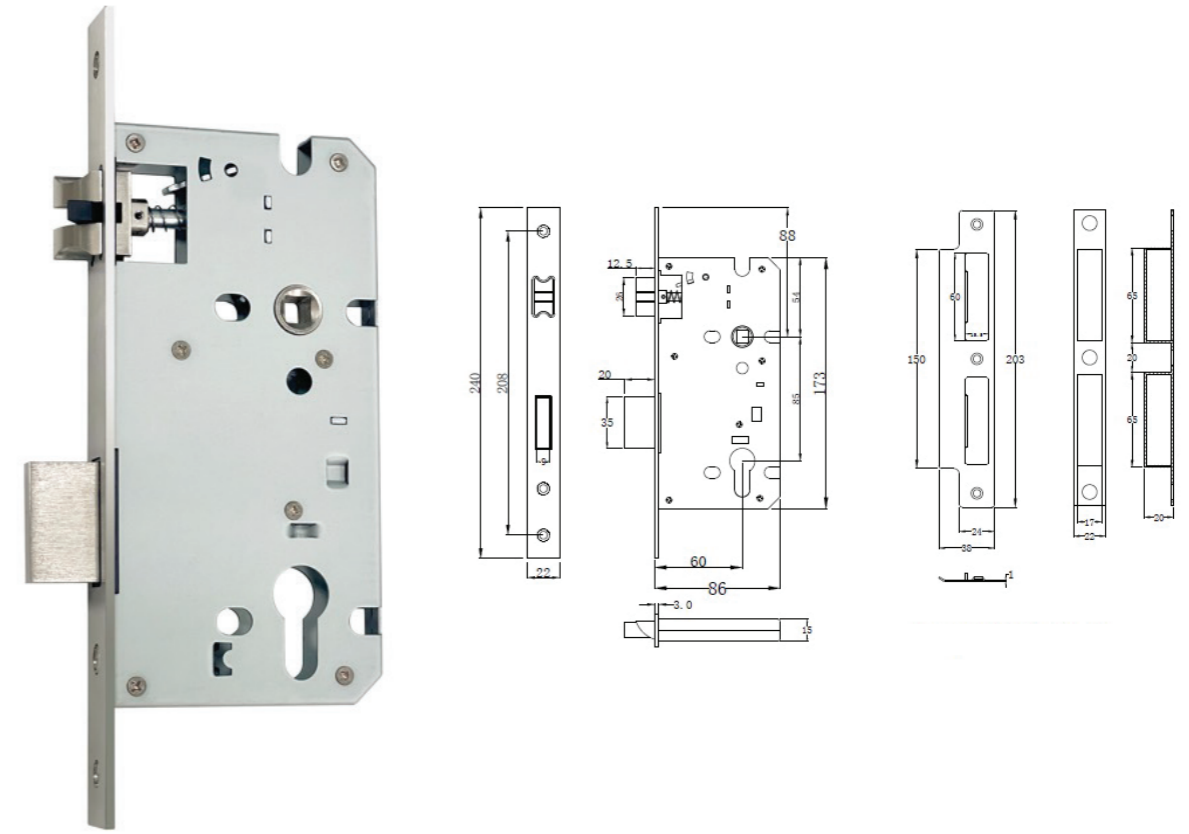
Parameters

Center to center: 85mm
 Backset: 50mm
 Door thickness: 35-50mm
 Applicable scenarios: Wooden door, Metal door

Silent Mortise Lock Series

SML 6085

Mechanical Silent Mortise



Buffering latch bolt design, more silent

500K

500,000 times opening and closing of latch bolt



Anti-Friction latch bolt design reduces the noise of lock tongue collision



Silent tongue with guided sleeve design to noise reduction



Dust proof design avoids wood chips from entering



Quality is guaranteed by fully automatic assembly

Parameters

Center to center: 85mm
 Backset: 60mm
 Door thickness: 35-50mm
 Applicable scenarios: Interior door, office door