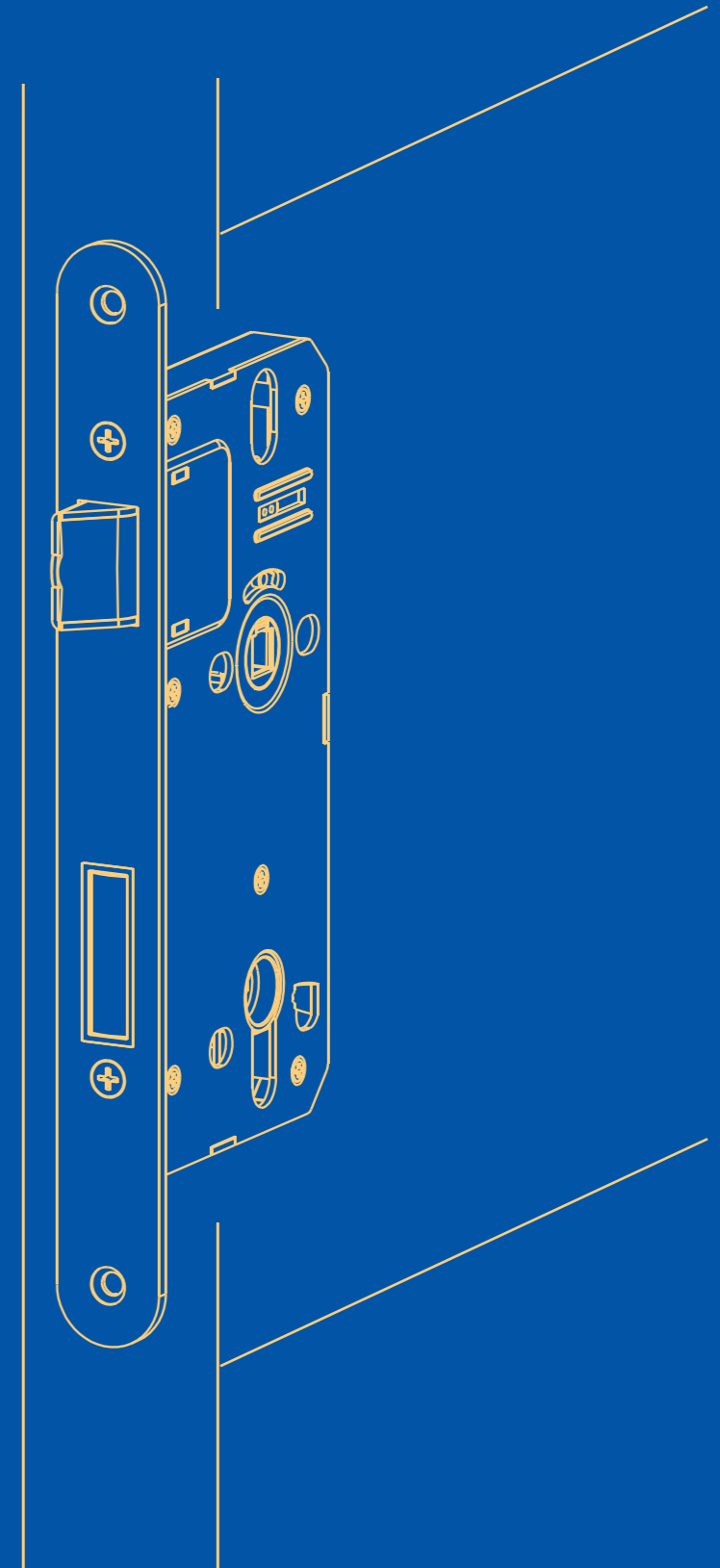




MORTISE LOCK

A 2ND GENERATION OF DOOR HARDWARE



Silent Mortise Lock Series

SML 5572A

Mechanical Silent Mortise



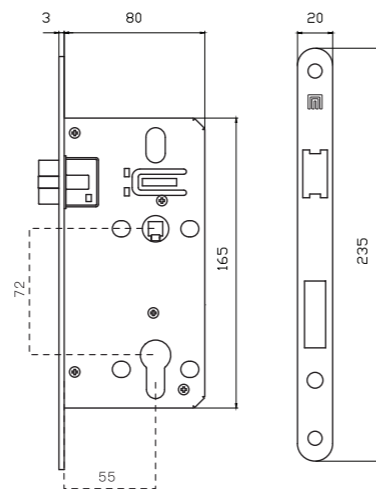
Patented pulling/ rotating/ reversing latch bolt design easy installation



	500K 500,000 times opening and closing of latch bolt	 Anti-Friction latch bolt design reduces the noise of lock tongue collision
--	----------------------------------------------------------------	--------------------------------------------------------------------------------

	 Dust proof design avoids wood chips from entering	 Quality is guaranteed by fully automatic assembly
--	-------------------------------------------------------	-------------------------------------------------------

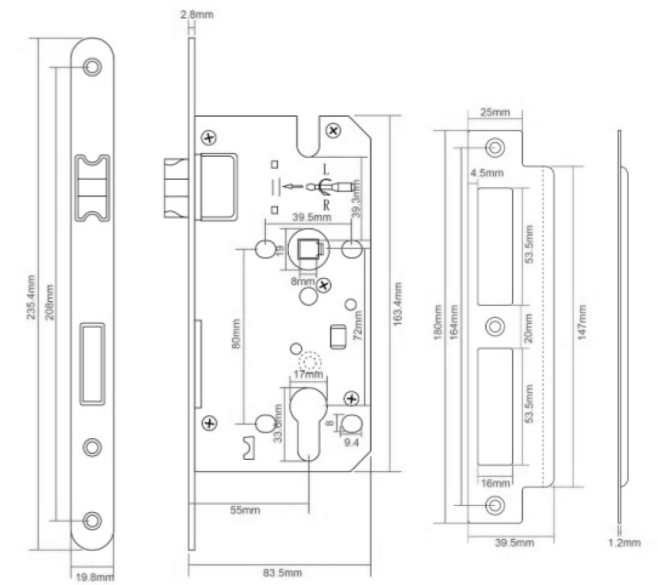
Parameters
 Center to center: 72mm
 Backset: 55mm
 Door thickness: 35-50mm
 Applicable scenarios: Wooden door, Metal door



Silent Mortise Lock Series

SML 5572B

Mechanical Silent Mortise



	500K 500,000 times opening and closing of latch bolt	 Anti-Friction latch bolt design reduces the noise of lock tongue collision
--	----------------------------------------------------------------	--------------------------------------------------------------------------------

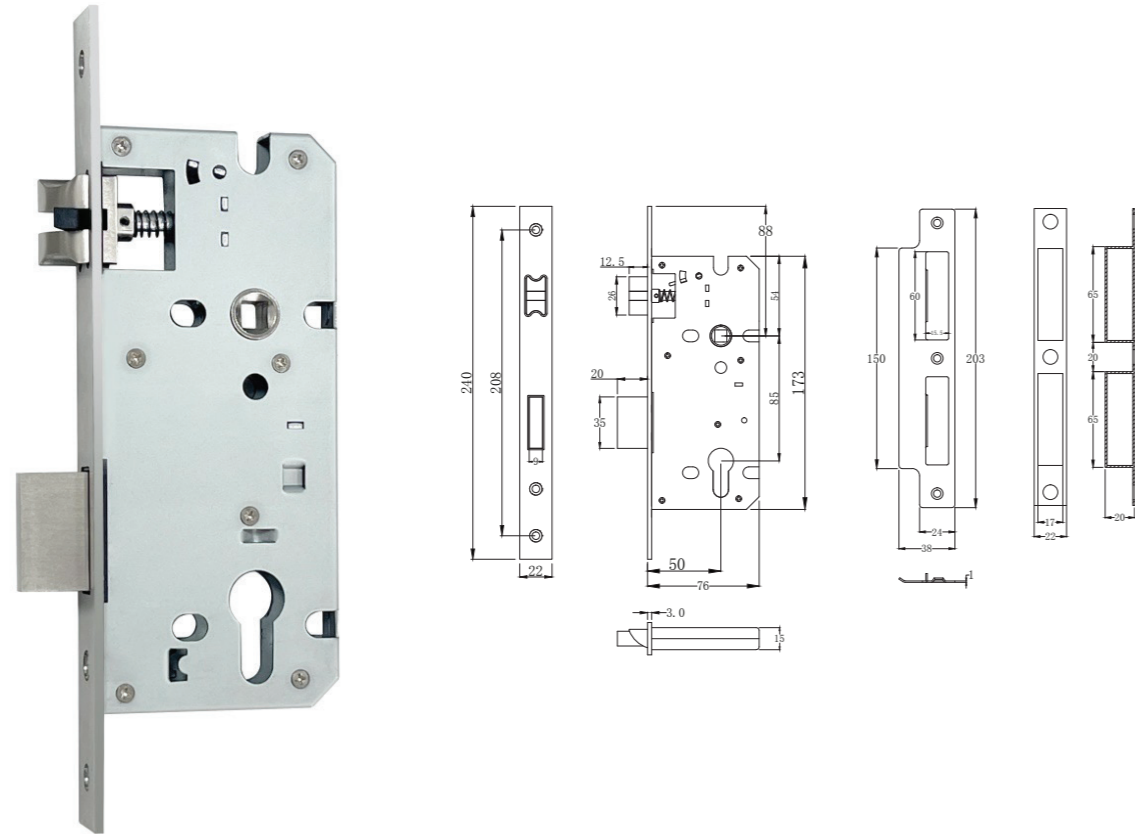
	 Dust proof design avoids wood chips from entering	 Quality is guaranteed by fully automatic assembly
--	-------------------------------------------------------	-------------------------------------------------------






Parameters
 Center to center: 72mm
 Backset: 55mm
 Door thickness: 35-50mm
 Applicable scenarios: Wooden door, Metal door

Silent Mortise Lock Series

SML 5085

Mechanical Silent Mortise



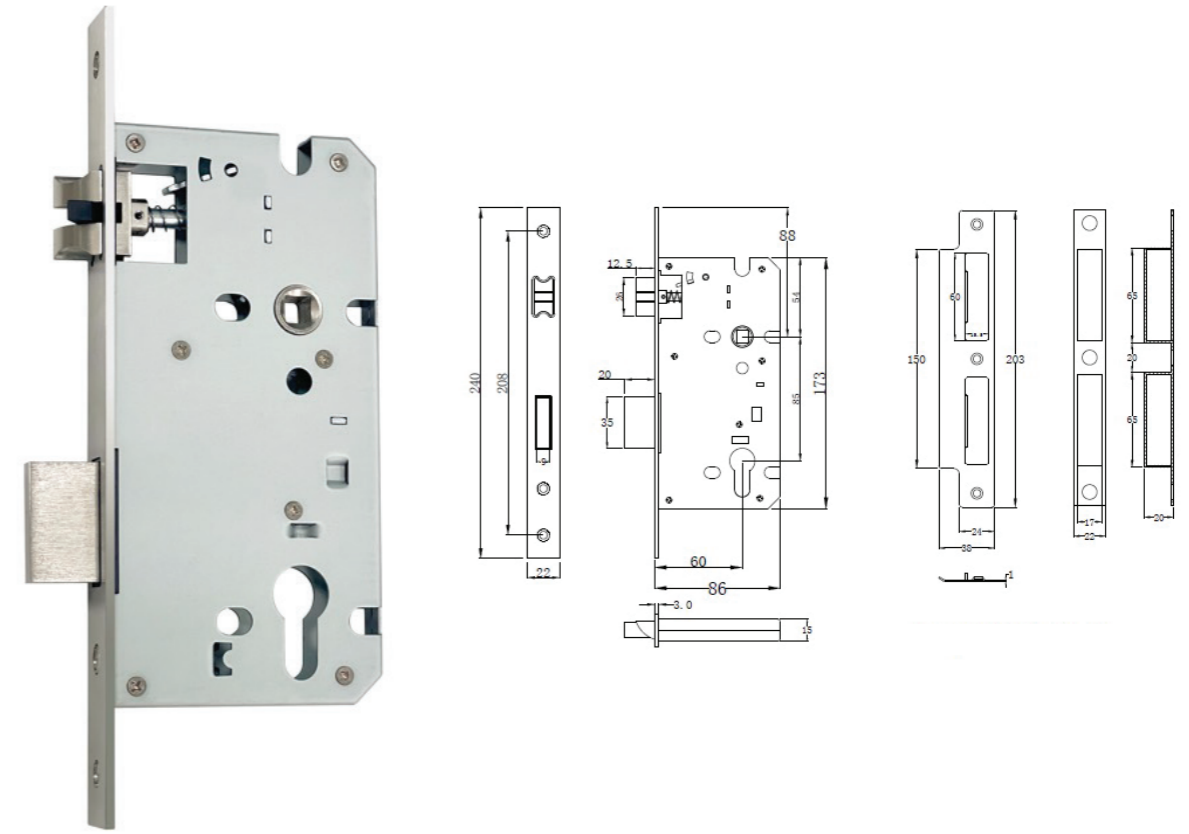
	500K	
Buffering latch bolt design, more silent	500,000 times opening and closing of latch bolt	Anti-Friction latch bolt design reduces the noise of lock tongue collision
		
Silent tongue with guided sleeve design for noise reduction	Dust proof design avoids wood chips from entering	Quality is guaranteed by fully automatic assembly






Parameters
 Center to center: 85mm
 Backset: 50mm
 Door thickness: 35-50mm
 Applicable scenarios: Wooden door, Metal door

Silent Mortise Lock Series

SML 6085

Mechanical Silent Mortise



	500K	
Buffering latch bolt design, more silent	500,000 times opening and closing of latch bolt	Anti-Friction latch bolt design reduces the noise of lock tongue collision
		
Silent tongue with guided sleeve design to noise reduction	Dust proof design avoids wood chips from entering	Quality is guaranteed by fully automatic assembly

Parameters
 Center to center: 85mm
 Backset: 60mm
 Door thickness: 35-50mm
 Applicable scenarios: Interior door, office door

Fire Rated Mortise Lock Series

Mortice Lock ML1072 Series

Application

A2 Sweden ML1072 Series Mortise Lock is designed for high frequency usage applications such as public access buildings where deliberate abuse likely takes place

Specifications and Features

- Modular case across functions for rapid door prepping and installation
- 72mm centers, backset in 50/55/60/65mm
- 8mm follower with spindle gripping function
- Reversible latch bolt in solid stainless steel
- Double throw deadbolt in solid stainless steel with 20mm projection
- Suitable for sprung and most un-sprung lever furniture
- Stainless steel faceplate and strike in square and radius version (radius version improves door prep efficiency with machine routing)
- Compatible with bolt through furniture and escutcheons of 38mm centers

Standards and Certification

EN Successfully type-tested for conformity to all of requirement of EN12209: 2003

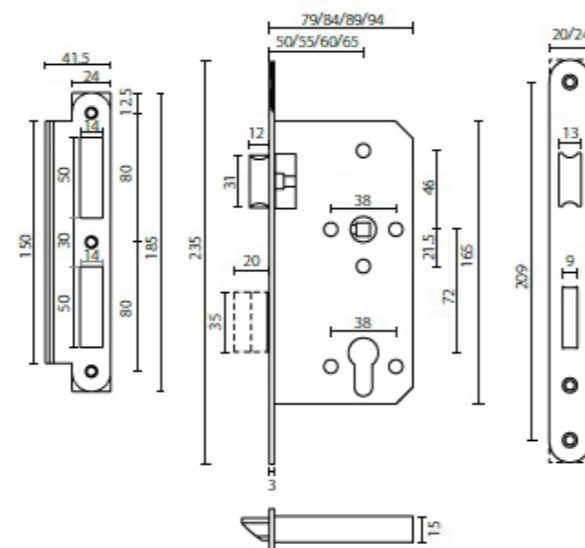
Exova Successfully passed and exceeded 240-minutes fire test of metal fire door assemblies to EN1634-1:2014

CE CE Declaration of Conformity available upon request

W Meets the dimensional recommendations of BS8300 and Approved Document "M"

certifire A2 Sweden ML1072 series locks are approved by Certifire.

warrington All EN/CE/Certifire tests performed independently and certified by Exova/Warrington Fire/Warrington APT.



Fire Rated Mortise Lock Series

ML 1072

ML107201
Sashlock/Entry
72mm Center



50mm Backset: ML107201-50
55mm Backset: ML107201-55
60mm Backset: ML107201-60
65mm Backset: ML107201-65

ML107202
Latch/Passage
72mm Center



50mm Backset: ML107202-50
55mm Backset: ML107202-55
60mm Backset: ML107202-60
65mm Backset: ML107202-65

ML107203
Deadlock/
Communicating
72mm Center



50mm Backset: ML107203-50
55mm Backset: ML107203-55
60mm Backset: ML107203-60
65mm Backset: ML107203-65

ML107205
Bathroom/Privacy
78mm Center



50mm Backset: ML107205-50
55mm Backset: ML107205-55
60mm Backset: ML107205-60
65mm Backset: ML107205-65

ML107204
Nightlatch/
Storeroom
72mm Center



55mm Backset: ML107204-55
60mm Backset: ML107204-60

ML107206
Emergency/
Escape Entry
72mm Center



60mm Backset: ML107206-60

ML107207
Roller Latch
72mm Center



55mm Backset: ML107207-55
60mm Backset: ML107207-60
65mm Backset: ML107207-65

ML107208
Classroom
72mm Center



55mm Backset: ML107208-55
60mm Backset: ML107208-60

ML107209
Anti-thrust
Nightlatch
72mm Center



55mm Backset: ML107209-55
60mm Backset: ML107209-60

Fire Rated Mortise Lock Series

Mortice Lock ML2072 Series

Application

A2 Sweden ML2072 Series Mortise Lock is designed for high frequency usage applications such as public access buildings where deliberate abuse likely takes place

Specifications and Features

- Modular case across functions for rapid door prepping and installation
- 72mm centers, backset in 50/55/60/65mm
- 8mm follower with spindle gripping function
- Reversible latch bolt in solid Brass
- Double throw deadbolt in solid Steel with 20mm projection
- Suitable for sprung and most un-sprung lever furniture
- Stainless steel faceplate and strike in square and radius version (radius version improves door prep efficiency with machine routing)
- Compatible with bolt through furniture and escutcheons of 38mm centers

Standards and Certification

EN Successfully type-tested for conformity to all of requirement of EN12209: 2003

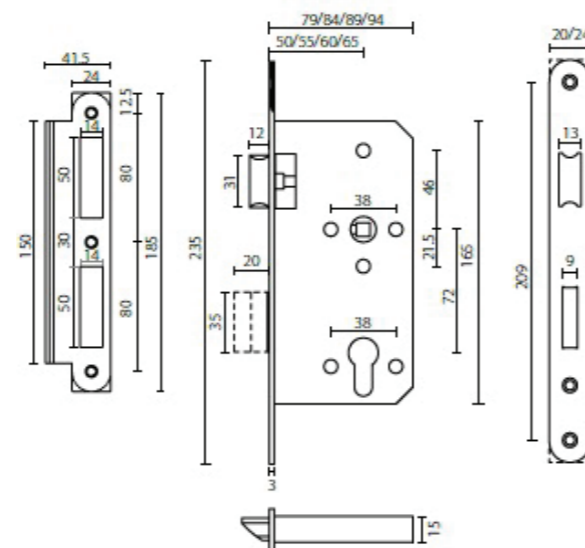
Exova Successfully passed and exceeded 240-minutes fire test of metal fire door assemblies to EN1634-1:2014

CE CE Declaration of Conformity available upon request

W Meets the dimensional recommendations of BS8300 and Approved Document "M"

certifire A2 Sweden ML2072 series locks are approved by Certifire.

warrington All EN/CE/Certifire tests performed independently and certified by Exova/Warrington Fire/Warrington APT.



Fire Rated Mortise Lock Series

ML 2072

ML207201
Sashlock/Entry
72mm Center



- 50mm Backset: ML207201-50
- 55mm Backset: ML207201-55
- 60mm Backset: ML207201-60
- 65mm Backset: ML207201-65

ML207202
Latch/Passage
72mm Center



- 50mm Backset: ML207202-50
- 55mm Backset: ML207202-55
- 60mm Backset: ML207202-60
- 65mm Backset: ML207202-65

ML207203
Deadlock/
Communicating
72mm Center



- 50mm Backset: ML207203-50
- 55mm Backset: ML207203-55
- 60mm Backset: ML207203-60
- 65mm Backset: ML207203-65

ML207205
Bathroom/Privacy
78mm Center



- 50mm Backset: ML207205-50
- 55mm Backset: ML207205-55
- 60mm Backset: ML207205-60
- 65mm Backset: ML207205-65

ML207204
Nightlatch/
Storeroom
72mm Center



- 55mm Backset: ML207204-55
- 60mm Backset: ML207204-60

Fire Rated Mortise Lock Series

Mortice Lock ML1085 Series

Application

A2 Sweden ML1085 Series Mortise Lock is designed for high frequency usage applications such as public access buildings where deliberate abuse likely takes place

Specifications and Features

- Modular case across functions for rapid door prepping and installation
- 85mm centers, backset in 40/45/50/60mm
- 8mm follower with spindle gripping function
- Reversible latch bolt in solid stainless steel
- Double throw deadbolt in solid stainless steel with 20mm projection
- Suitable for sprung and most un-sprung lever furniture
- Stainless steel faceplate and strike in square and radius version (radius version improves door prep efficiency with machine routing)
- Compatible with bolt through furniture and escutcheons of 38mm centers

Standards and Certification

EN Successfully type-tested for conformity to all of requirement of EN12209: 2003

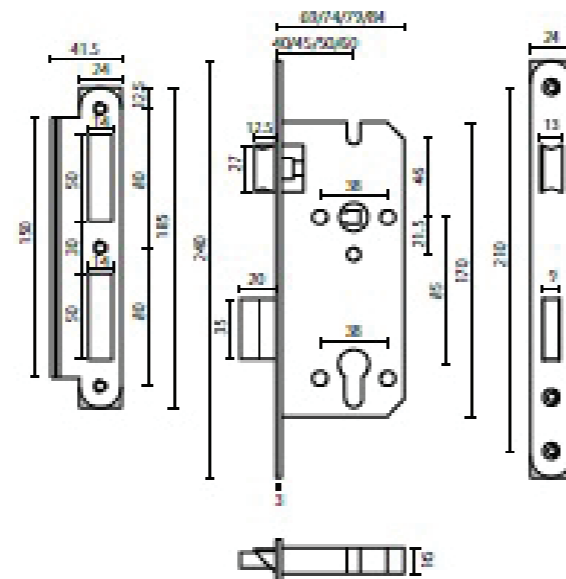
Exova Successfully passed and exceeded 240-minutes fire test of metal fire door assemblies to EN1634-1:2014

CE CE Declaration of Conformity available upon request

W Meets the dimensional recommendations of BS8300 and Approved Document "M"

certifire A2 Sweden ML1085 series locks are approved by Certifire.

warrington All EN/CE/Certifire tests performed independently and certified by Exova/ Warrington Fire/Warrington APT.



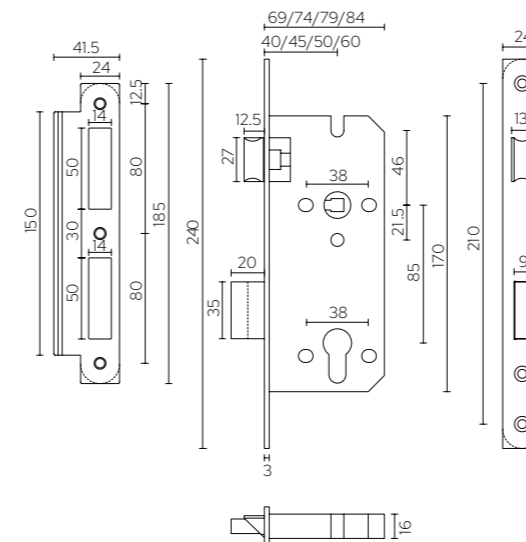
Fire Rated Mortise Lock Series

ML1085

ML108501
Sashlock/Entrance
85mm Center



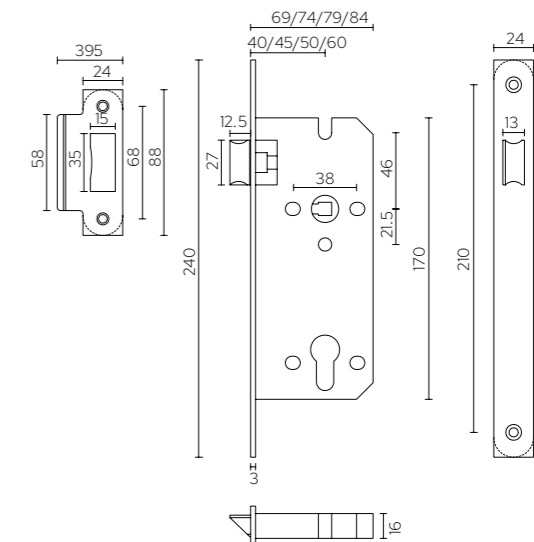
40mm Backset: ML108501-40
45mm Backset: ML108501-45
50mm Backset: ML108501-50
60mm Backset: ML108501-60



ML108502
Latch/Passage
85mm Center



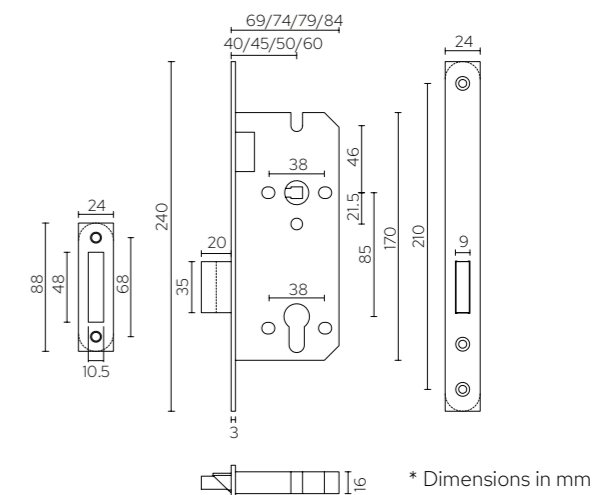
40mm Backset: ML108502-40
45mm Backset: ML108502-45
50mm Backset: ML108502-50
60mm Backset: ML108502-60



ML108503
Deadlock/
Communicating
85mm Center



40mm Backset: ML108503-40
45mm Backset: ML108503-45
50mm Backset: ML108503-50
60mm Backset: ML108503-60



* Dimensions in mm

Fire Rated Mortise Lock Series

Mortice Lock ML2085 Series

Application

A2 Sweden ML2085 Series Mortise Lock is designed for high frequency usage applications such as public access buildings where deliberate abuse likely takes place

Specifications and Features

- Modular case across functions for rapid door prepping and installation
- 85mm centers, backset in 40/45/50/60mm
- 8mm follower with spindle gripping function
- Reversible latch bolt in solid Brass
- Double throw deadbolt in solid Steel with 20mm projection
- Suitable for sprung and most un-sprung lever furniture
- Stainless steel faceplate and strike in square and radius version (radius version improves door prep efficiency with machine routing)
- Compatible with bolt through furniture and escutcheons of 38mm centers

Standards and Certification

EN Successfully type-tested for conformity to all of requirement of EN12209: 2003

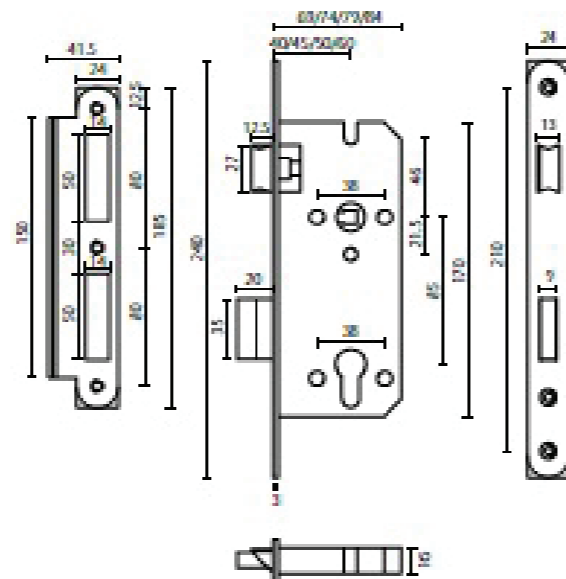
Exova Successfully passed and exceeded 240-minutes fire test of metal fire door assemblies to EN1634-1:2014

CE CE Declaration of Conformity available upon request

W Meets the dimensional recommendations of BS8300 and Approved Document "M"

certifire A2 Sweden ML2085 series locks are approved by Certifire.

warrington certification All EN/CE/Certifire tests performed independently and certified by Exova/Warrington Fire/Warrington APT.



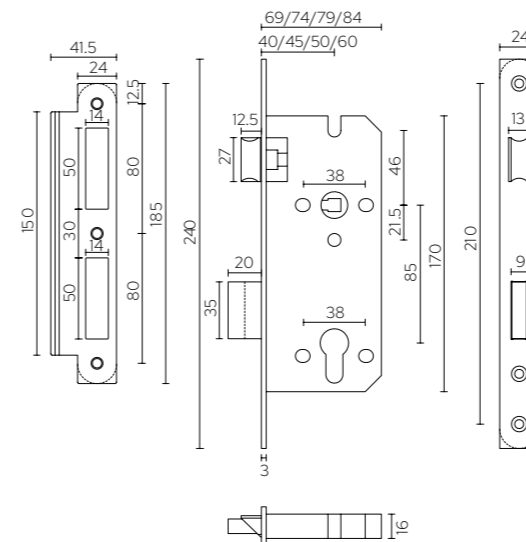
Fire Rated Mortise Lock Series

ML2085

ML208501
Sashlock/Entrance
85mm Center



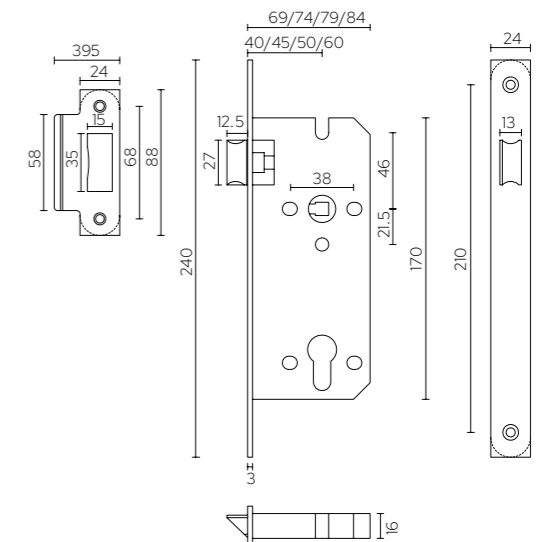
40mm Backset: ML208501-40
45mm Backset: ML208501-45
50mm Backset: ML208501-50
60mm Backset: ML208501-60



ML208502
Latch/Passage
85mm Center



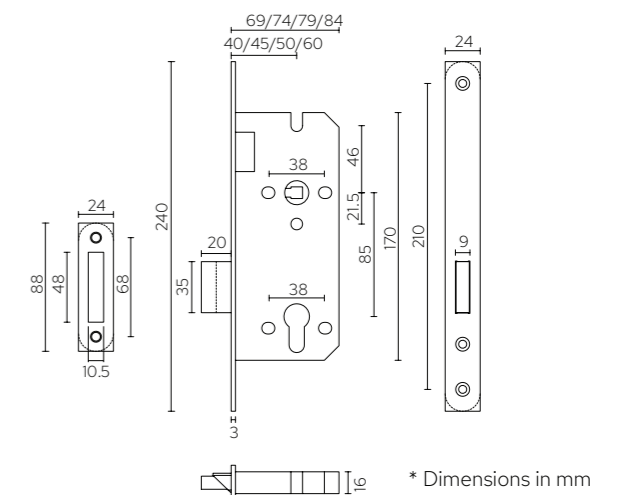
40mm Backset: ML208502-40
45mm Backset: ML208502-45
50mm Backset: ML208502-50
60mm Backset: ML208502-60



ML208503
Deadlock/
Communicating
85mm Center



40mm Backset: ML208503-40
45mm Backset: ML208503-45
50mm Backset: ML208503-50
60mm Backset: ML208503-60



* Dimensions in mm

A2 Mortise Lock Series

Narrow Mortise Lock ML30 Series

Application

A2 ML30 Series Narrow Mortise Lock is designed for commercial and residential profile door applications

Specifications and Features

- Available in 85 and 92mm centers, backset in 20/25/30/35mm
- 8mm spindle follower
- Easy reversible latchbolt design (no tools required)
- Single throw solid deadbolt with 15mm projection
- Suitable for both Sprung and Un-Sprung handle
- SStainless Steel faceplate and strike in various width to fit different aluminium/ uPVC profile requirement
- Modular case across functions for rapid door prepping and installation
- Roller Latch model is designed with adjustable roller projection to fit for different door/frame gap
- Successfully type-tested internally for conformity to all of requirement of EN12209:2003

Forend and Strike Finishes

Satin Stainless Steel

*Other finishes available upon request



Narrow Mortise Lock ML30 Series

ML308501/ML309201 Sashlock/Entry

- 85/92mm Center
 20mm Backset: ML308501-20
 ML309201-20
 25mm Backset: ML308501-25
 ML309201-25
 30mm Backset: ML308501-30
 ML309201-30
 35mm Backset: ML308501-35
 ML309201-35



ML308503/ML309203 Deadlock/Communicating

- 85/92mm Center
 20mm Backset: ML308503-20
 ML309203-20
 25mm Backset: ML308503-25
 ML309203-25
 30mm Backset: ML308503-30
 ML309203-30
 35mm Backset: ML308503-35
 ML309203-35



ML308502/ML309202 Latch/Passage

- 85/92mm Center
 20mm Backset: ML308502-20
 ML309202-20
 25mm Backset: ML308502-25
 ML309202-25
 30mm Backset: ML308502-30
 ML309202-30
 35mm Backset: ML308502-35
 ML309202-35



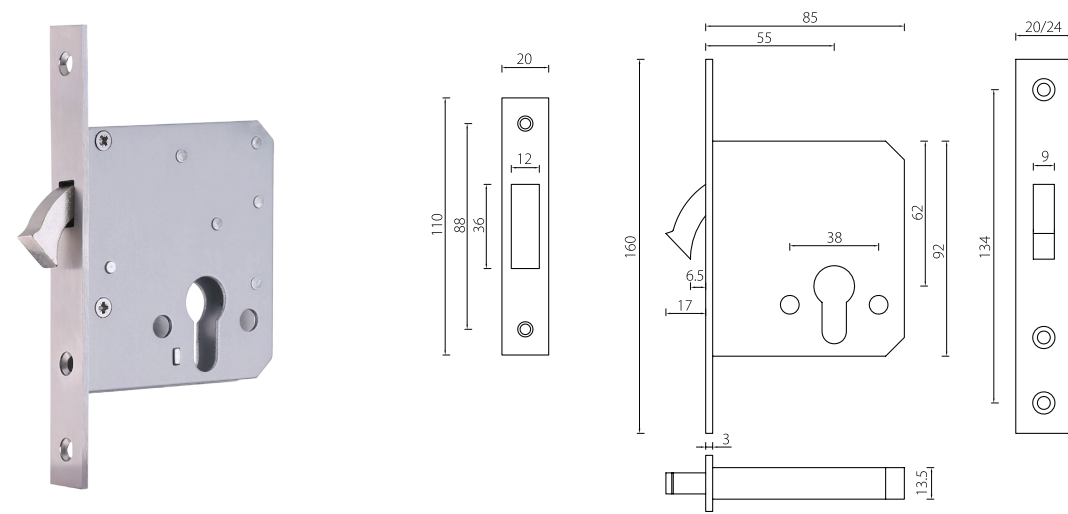
ML308507/ML309207 Roller Latch

- 85/92mm Center
 20mm Backset: ML308507-20
 ML309207-20
 25mm Backset: ML308507-25
 ML309207-25
 30mm Backset: ML308507-30
 ML309207-30
 35mm Backset: ML308507-35
 ML309207-35



Mortise Lock Series

MLC106-55 Hook Lock



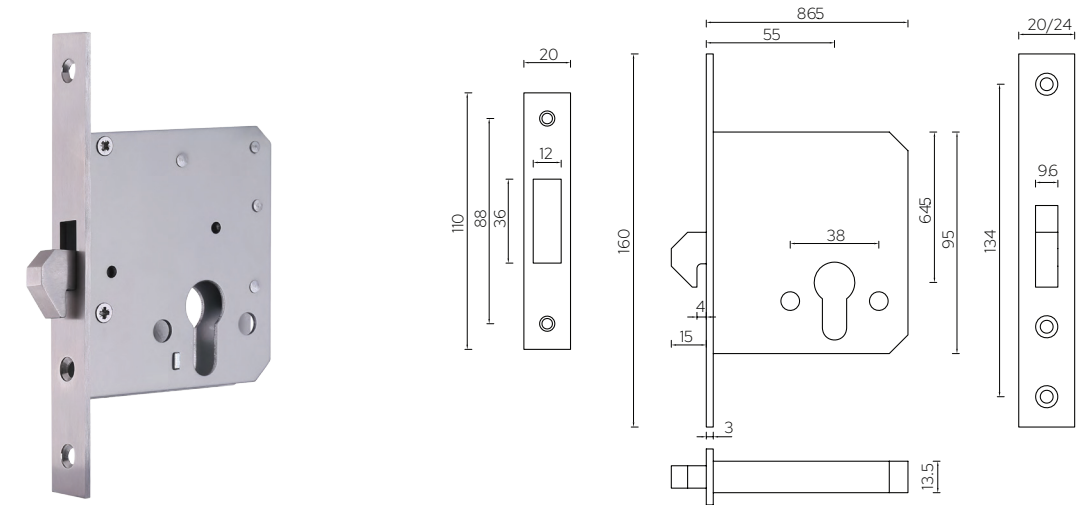
Sliding Door Lockset



- Backset in 55mm
- Locking function achieved with euro profile cylinder
- Single turn hook bolt in stainless steel
- Stainless steel faceplate and strike in square and radius version
- Compatible with bolt through escutcheons of 38mm centers

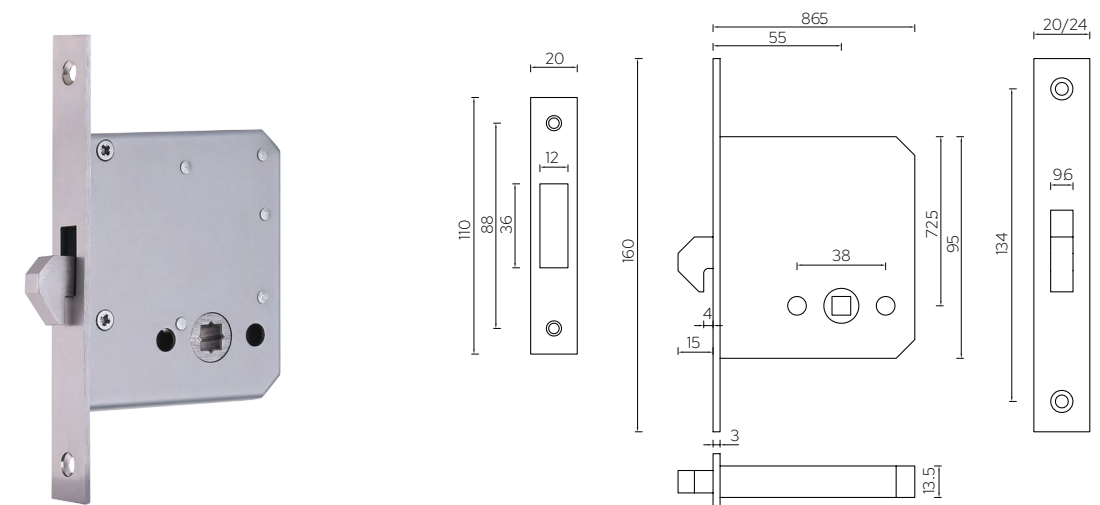
Mortise Lock Series

MLC116-55 Hook Lock



- Backset in 55mm
- Auto locking achieved by sliding to close door
- Unlocking by euro profile cylinder
- Stainless steel faceplate and strike in square and radius version
- Compatible with bolt through escutcheons of 38mm centers

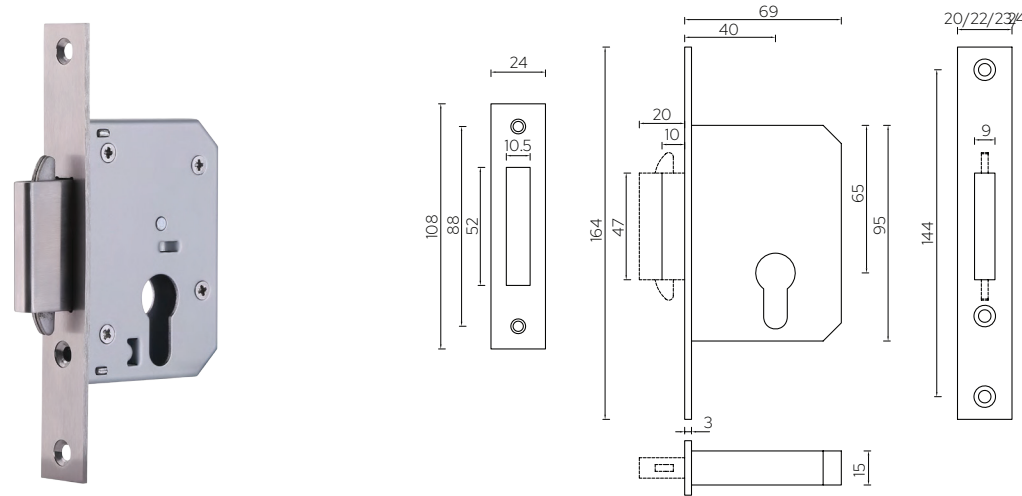
MLC126-55 Privacy Hook Lock



- Backset in 55mm
- Auto locking achieved by sliding to close door
- Unlocking by thumb turn and release
- Stainless steel faceplate and strike in square and radius version
- Compatible with bolt through privacy turn and release set of 38mm centers

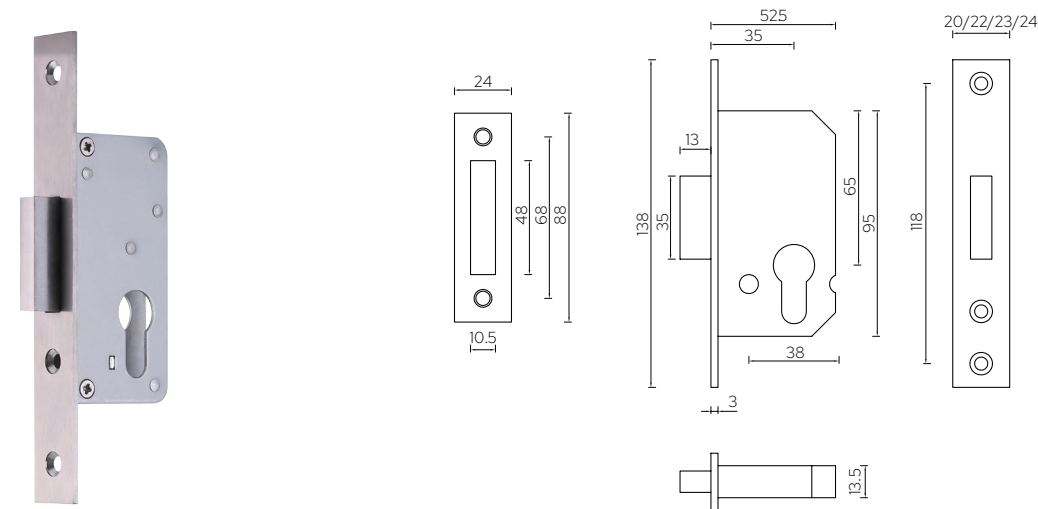
Mortise Lock Series

MLC136-40 Double Hook Lock



- Backset in 40mm
- Function achieved with euro profile cylinder
- Double turn hook bolt with wings in stainless steel
- Stainless steel faceplate and strike in square and radius version

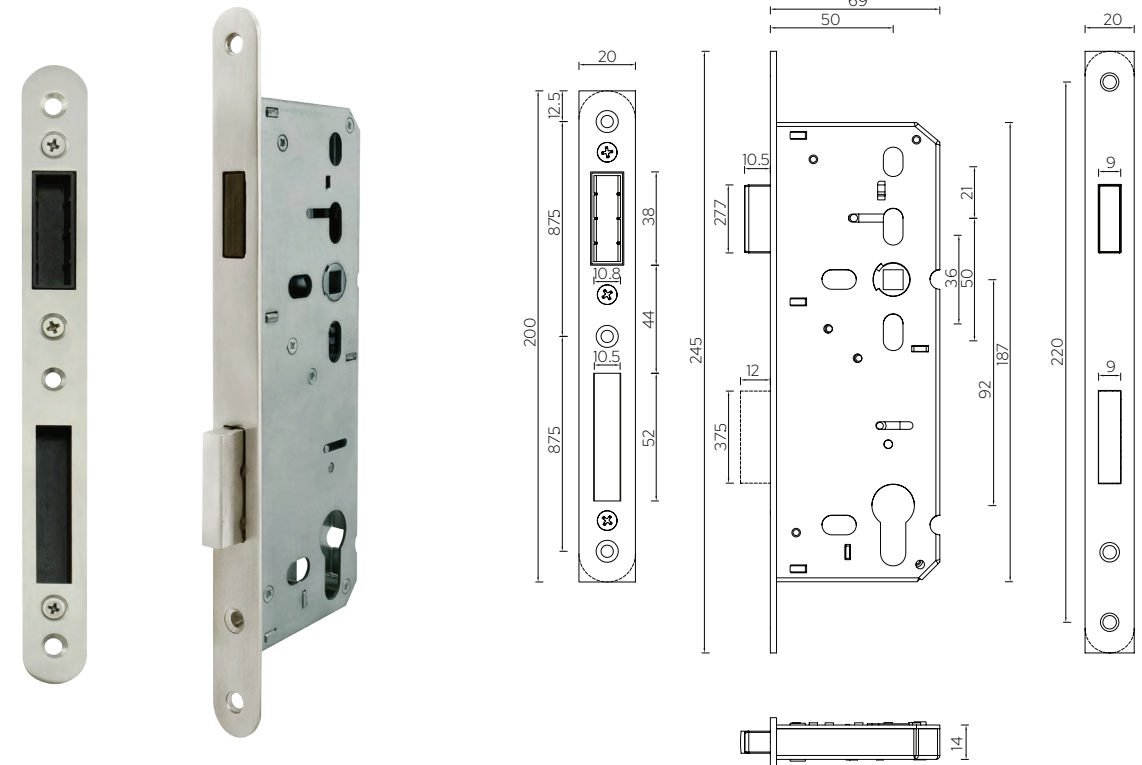
MLC103-35



- Backset in 35mm
- Single throw deadbolt in stainless steel
- Suitable for sprung and most un-sprung lever furniture
- Stainless steel faceplate and strike in square and radius version
- Compatible with bolt through escutcheons of 38mm centers

Magnetic Mortise Lock Series

MG 5092



Specifications and Features

- 92mm standard center distance with 50mm backset
- Magnetic latch designed for reducing installation gap
- Magnetic latch can be retracted by cylinder operation
- Multiple through bolt holes available for wide trim options
- Non handed installation
- Solid brass deadbolt providing additional security
- Can be used as passage or entrance function
- Stainless steel forend and strike for strong corrosive resistance
- Suitable for sprung and most unsprung lever handle

Application

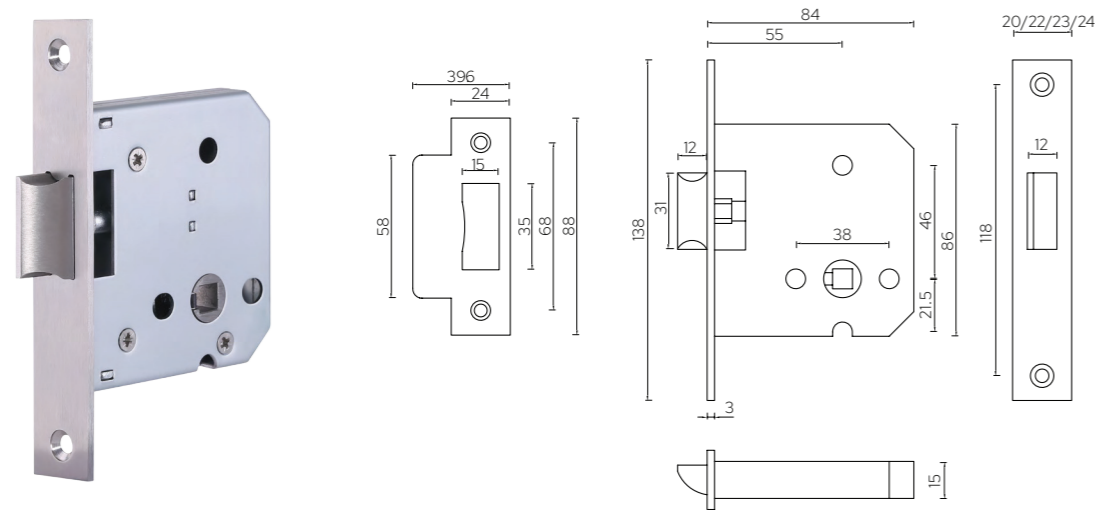
MG10910-50 Magnetic Lock is designed for timber doors requiring silent closing action

Forend and Strike Finish

Satin Stainless Steel
*Other finishes available upon request

Mortise Lock Series

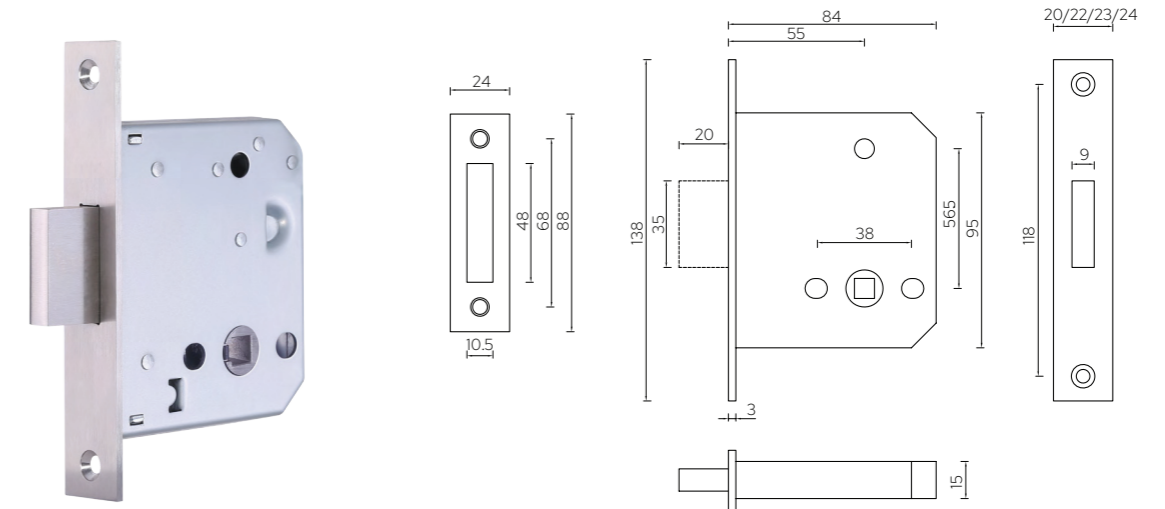
MLC102-55 Latch/Passage



- Backset in 55mm
- 8mm follower with spindle gripping function
- Reversible Latchbolt in solid stainless steel
- Suitable for sprung and most un-sprung lever furniture
- Stainless steel faceplate and strike in square and radius version in Satin Finish
- Compatible with bolt through furniture of 38mm centers

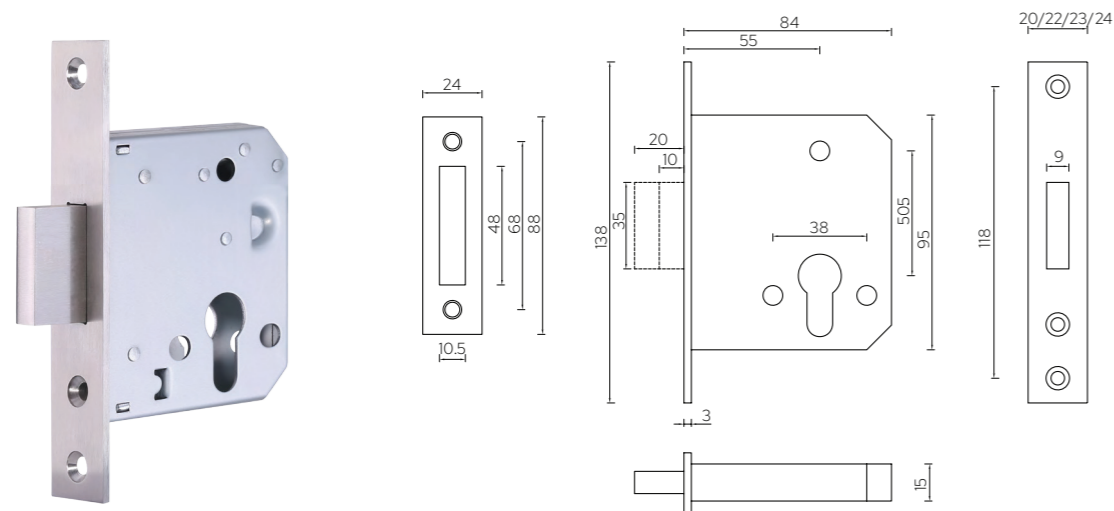
Mortise Lock Series

MLC105-55 Bathroom/Privacy



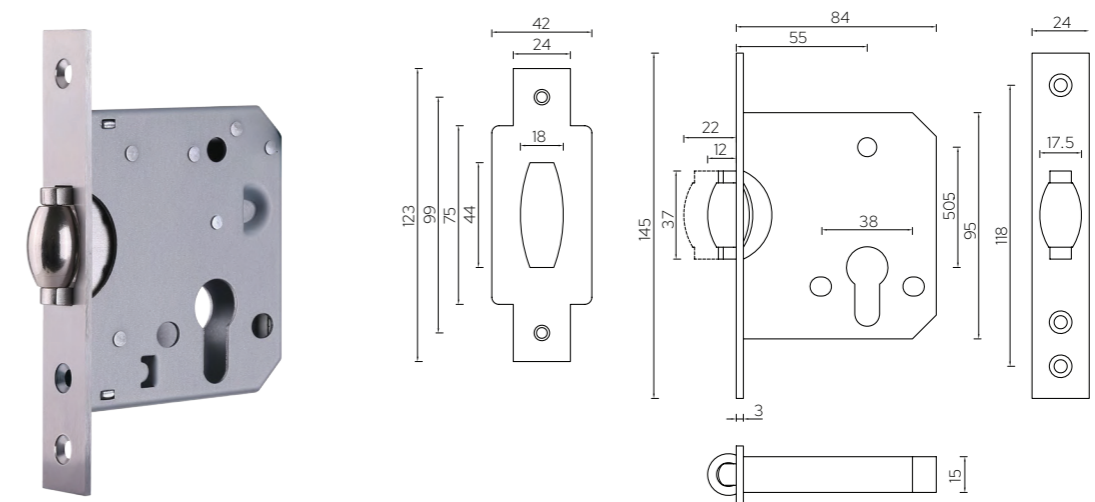
- Backset in 55mm
- 8mm follower
- Stainless steel faceplate and strike in square and radius version
- Compatible with bolt through escutcheons of 38mm centers
- Single turn to suit privacy turn and release set with 38mm bolt through compatibility

MLC103-55 Deadlock/Communicating



- Backset in 55mm
- Double throw deadbolt in solid stainless steel
- Stainless steel faceplate and strike in square and radius version
- Compatible with bolt through escutcheons of 38mm centers

ML107-55 Roller Bolt



- Backset in 55mm
- Can be used as passage or deadlock application
- Dead bolt function achieved with euro profile cylinder operation
- Roller Latch in stainless steel
- Stainless steel faceplate and strike in square and radius version
- Compatible with bolt through escutcheons of 38mm centers



SWEDEN

A2 Building Solutions AB
Stora Wäsby, Upplands Väsby
Sweden 19437

DUBAI

A2 Building Solutions
Unit 3509, 35th Floor,
Burlington Tower, Business Bay,
Dubai, UAE
P.O. Box 417764

INDIA

A2 Building Solutions India Pvt. Ltd.
6th Floor, Good Earth Business Bay-1,
Sector-58, Gurgaon

MORTISE LOCK