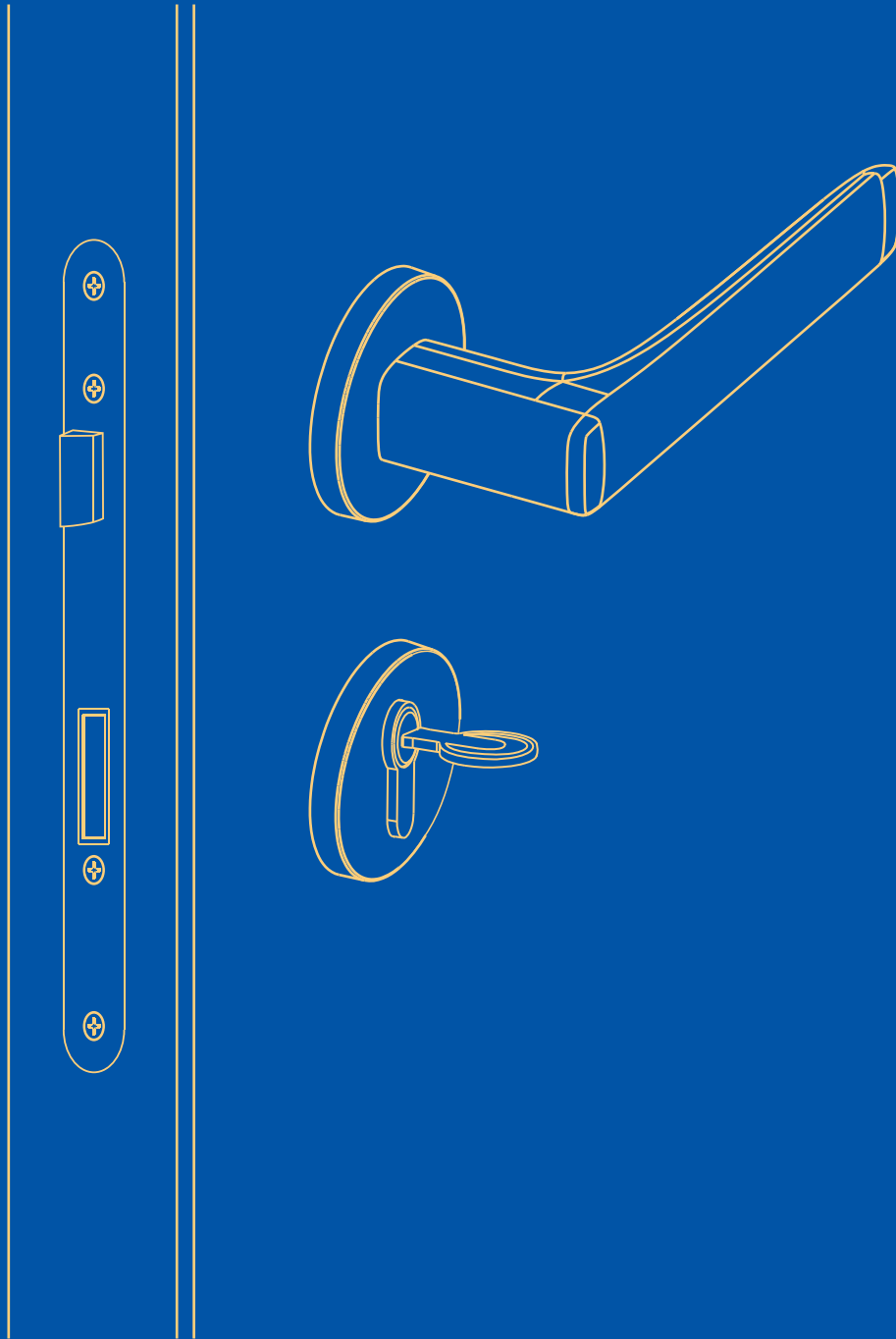


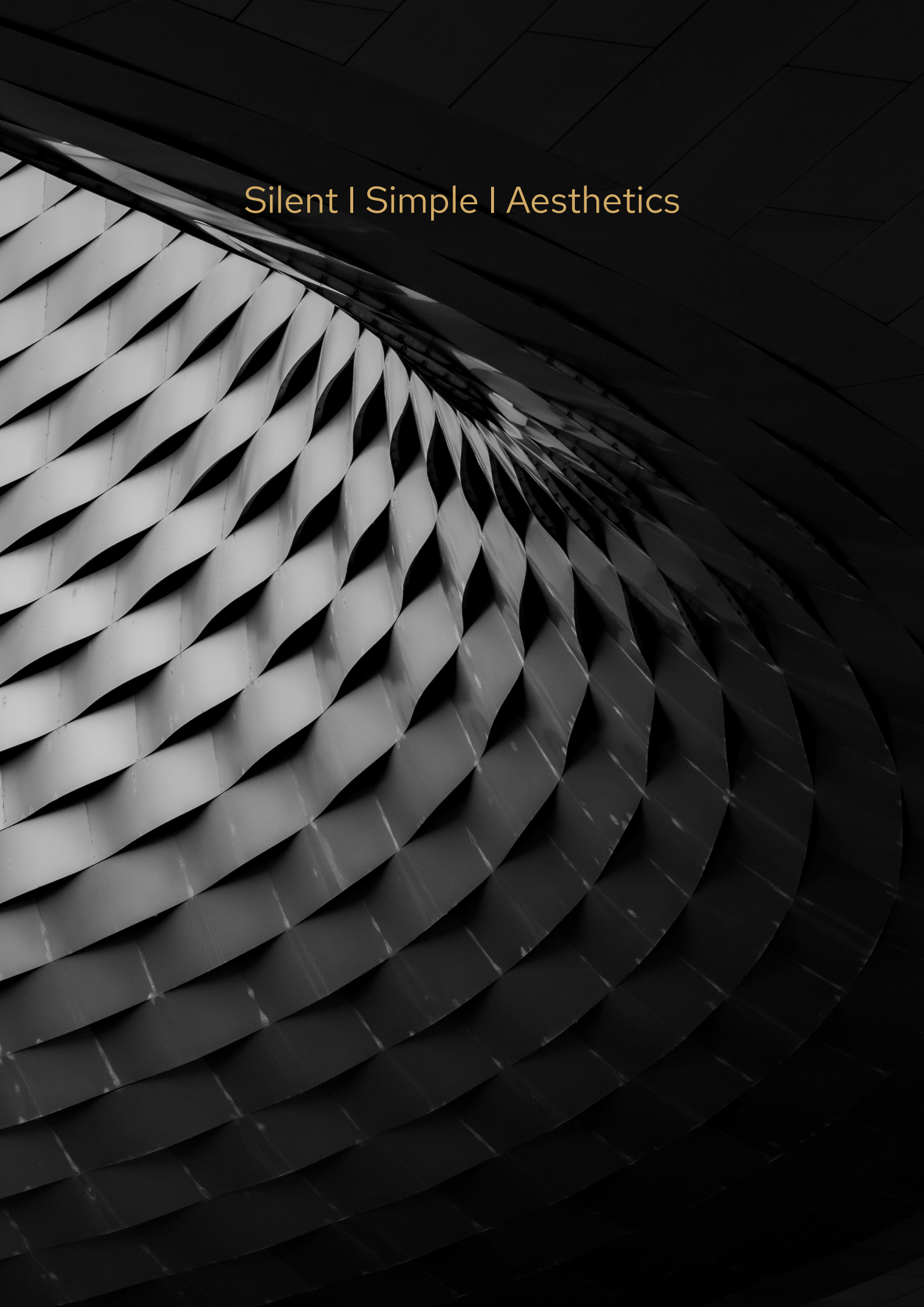


MECHANICAL DOOR LOCK SET

A 2ND GENERATION OF DOOR HARDWARE



Silent | Simple | Aesthetics



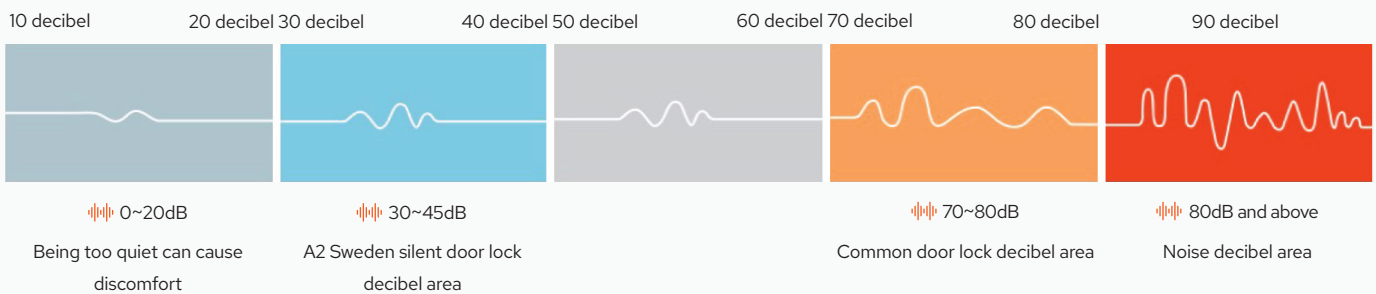
Silent Technology



Silent technological innovation, only for a better life

INTRODUCTION

From product research and development to technological innovation, from process manufacturing to quality inspection, A2 Sweden insists on scientific and technological innovation, enhances brand competitiveness, and provides consumers with brand-new, high-quality silent life experience.

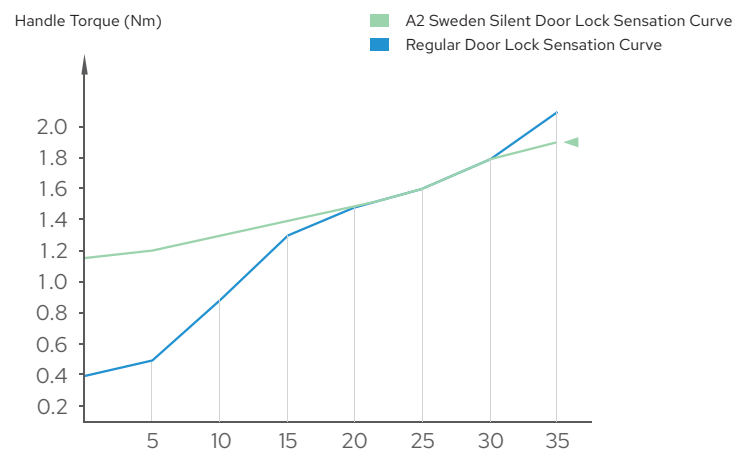


A Rotational Angle of 25-35° for Enhanced User Experience

With a rotation angle ranging from 25° to 35°, the handle interaction becomes more ergonomic and user-friendly, ensuring a comfortable grip, smooth downward pressure, and seamless rotation for improved usability.



Average Force Sensation Curve



Handle Rotation Angle (°)

The force at each angle has undergone countless trials to achieve the most even and comfortable tactile interaction.

Seamless door opening, just one touch.

Innovative direct push mechanism, revolutionizing the traditional unlocking method. Gentle touch from any part of the body triggers instant unlocking.



Innovative Craftsmanship

8-Layer Plating Process

Verified through hardness and wear tests, this plating endures without fading, maintaining a vibrant appearance as if new.



Undergoing a distinctive process based on the differentiation between copper and zinc alloy materials. The process includes meticulous polishing followed by 7 layers of chemically dense plating, concluding with a surface wear-resistant coating. This method bestows a rustic and elegant hue upon the product, ensuring high corrosion resistance and unfading allure.



Sakura Silent Push Pull Door Lock Set

8° Door Opening Extremely Quiet

8° push and pull to open the door easily, open the door regardless of left and right, turn over the silent lock body 5572 European standard lock body specification, 8mm ultra-thin gear cover.





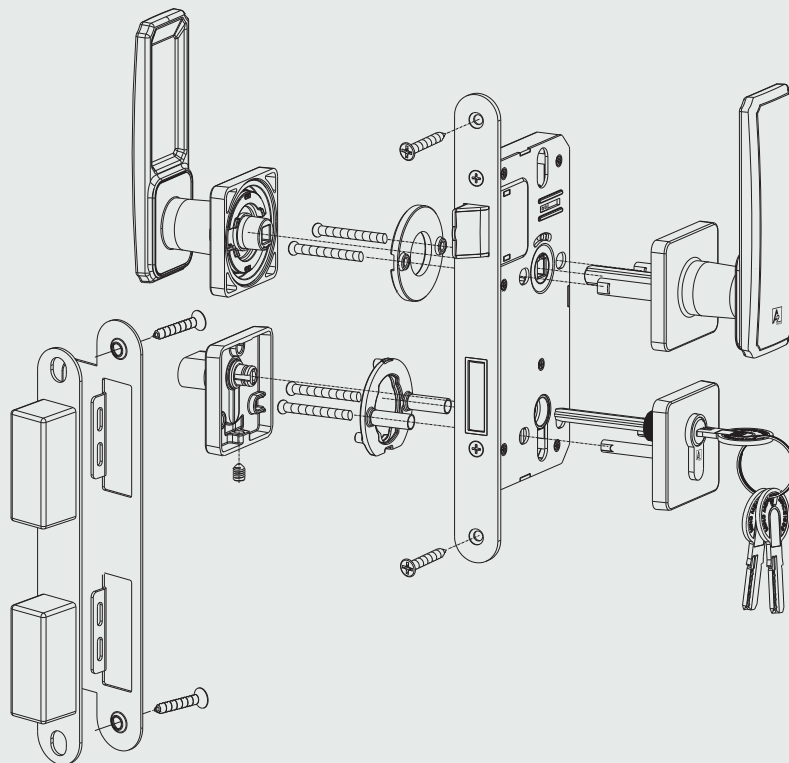
Sakura Silent Push Pull Door Lock Set

Series Product Attributes:

Product Function: Opening or closing door via push-pull, no distinction between left and right installation.

- Product Features:
1. Open or close the door with just 8 degree pushes/pulls.
 2. No difference between left or right installation
 3. Flippable buffer latch make door opening or closure easy and quite
- Suitable Door Thickness: 40-50mm
Backset : 55mm
Center Distance: 72mm

Installation Auxiliary View (Right-hand door example below):







SK 501

Parameters

Main material : Zinc Alloy

Mortise : Push Pull Silent Mortise

Feature : Brass cylinder with 3 computerized keys

Door Thickness : 40-50mm

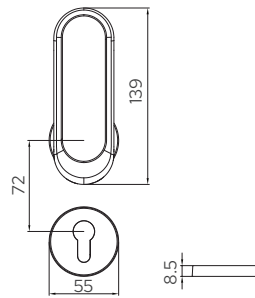
Application : Interior Doors



Matte Gunblack



Satin Gold



SK 502

Parameters

Main material : Zinc Alloy

Mortise : Push Pull Silent Mortise

Feature : Brass cylinder with 3 computerized keys

Door Thickness : 40-50mm

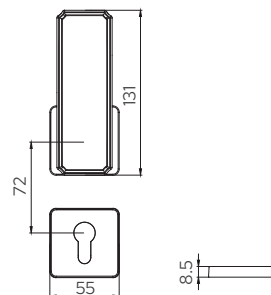
Application : Interior Doors



Matte Gunblack



Antique Bronze Copper



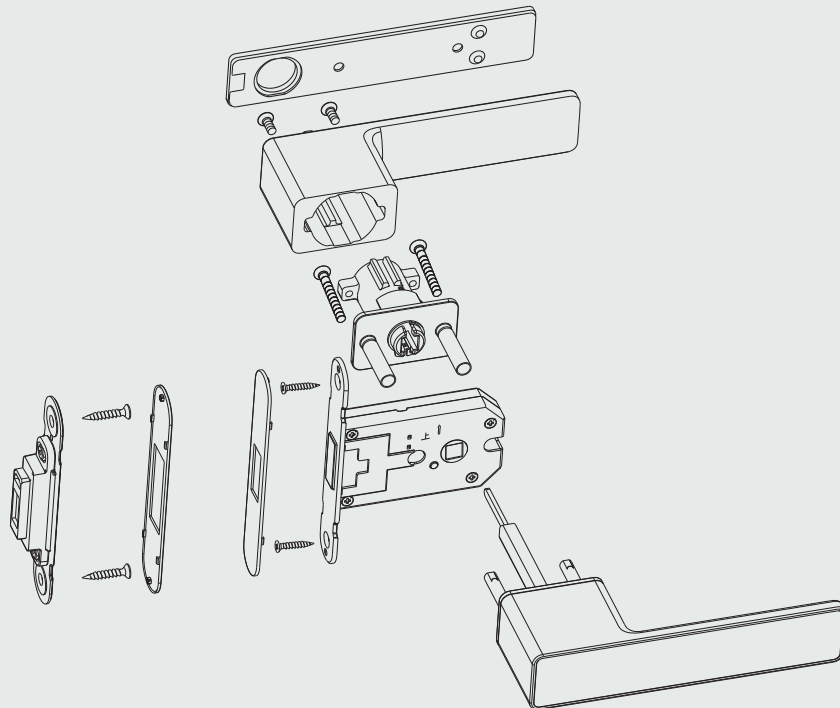
Simplicity Door Lock Set

Series Product Attributes:

Product Function: Lockable from the inside, emergency opening from the outside.

Product Features: 1. Extremely minimalist design, showcasing ultimate simplicity.
2. Quick-detachable hidden cylinder cover.
3. Concealed screwless mortise Lock
Door Thickness: 40-55mm
Backset: 60mm

Installation Auxiliary View (Right-hand door example below):







SL 301

Parameters

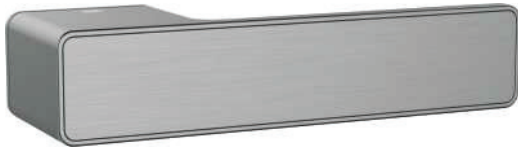
Main material : Zinc Alloy

Mortise : Magnetic Silent Mortise C60

Cylinder: Inbuilt with 3 keys

Door Thickness : 40-60mm

Application : Interior Doors



Satin Nickel



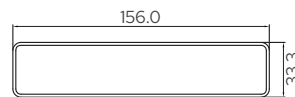
Matt Black



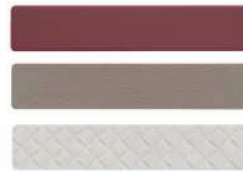
Gold



White



Customizable Decorative Cover



SL 302

Parameters

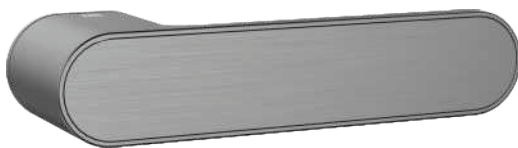
Main material : Zinc Alloy

Mortise : Magnetic Silent Mortise C60

Cylinder: Inbuilt with 3 keys

Door Thickness : 40-60mm

Application : Interior Doors



Satin Nickel



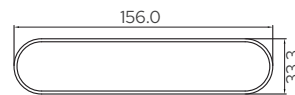
Matt Black



Gold



White



Customizable Decorative Cover



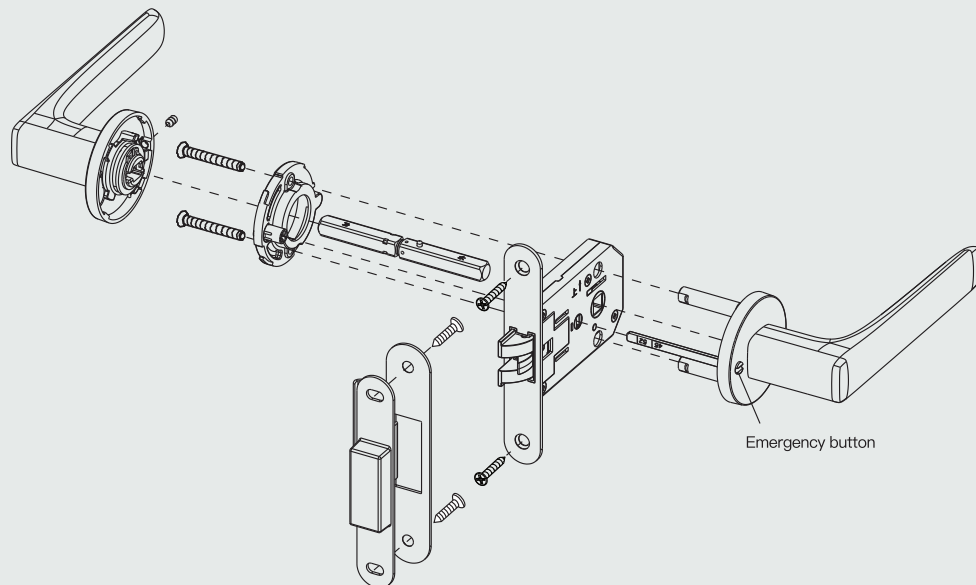
Simplicity Series

Series Product Attributes:

Product Function: No need keys, eliminates accidental locking

- Product Features:
1. Emergency door opening
 2. Visible deadlocking indicator from outside
 3. Silent magnetic lock mechanism
 4. Silent opening and closing with 40dB noise
(under laboratory conditions)
- Door Thickness: 38-55mm
Backset: 60mm

Installation Auxiliary View (Right-hand door example below):



SL 401

Parameters

Main material : Zinc Alloy

Mortise : Silent Mortise Lock W60

Feature : Emergency unlocking from outside,
Lock/unlock indicator

Door Thickness : 38-55mm

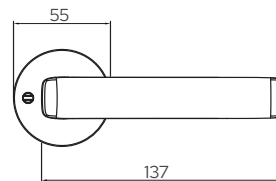
Application : Interior Doors, bathroom,
elderly & kids room



Matte Black



Gold



SL 402

Parameters

Main material : Zinc Alloy

Mortise : Silent Mortise Lock W60

Feature : Emergency unlocking from outside,
Lock/unlock indicator

Door Thickness : 38-55mm

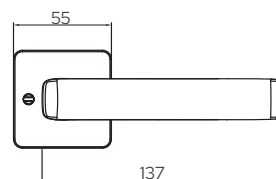
Application : Interior Doors, bathroom,
elderly & kids room



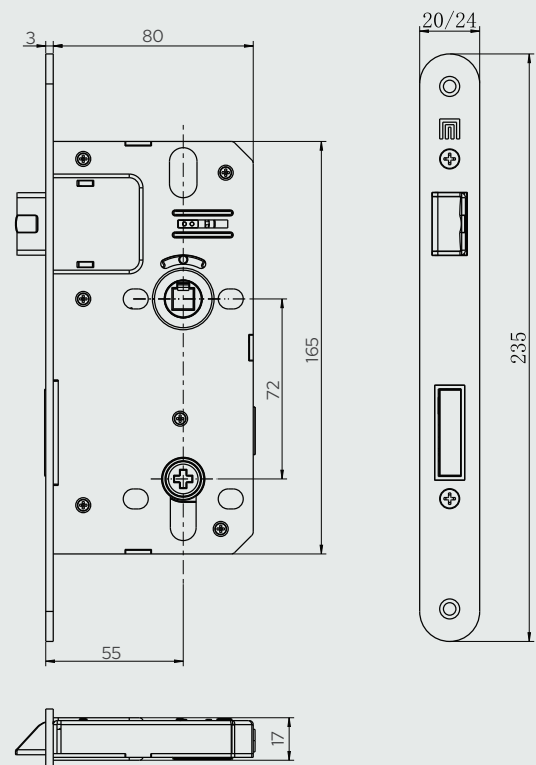
Matte Black



Gold



TL5572



Parameters

Main material : Electrolytic plate

Finish : Primary color

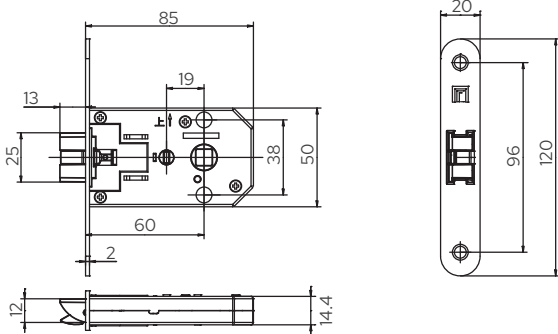
Center to Center : 72mm

Backset : 55mm

Door Thickness : 38-55mm

W60

Mechanical single tongue mortise



Parameters

Main material : Electrolytic plate

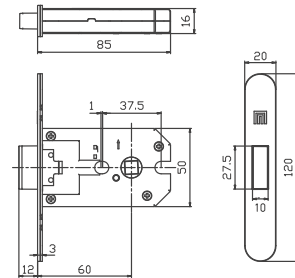
Finish : Primary color

Backset : 60mm

Door Thickness : 38-55mm

C60

Single silent magnetic tongue
(concealed screw)



Parameters

Main material : Electrolytic plate

Finish : Primary color

Backset : 60mm

Door Thickness : 38-55mm



SWEDEN

A2 Building Solutions AB
Stora Väsby, Upplands Väsby
Sweden 19437

DUBAI

A2 Building Solutions
Unit 3509, 35th Floor,
Burlington Tower, Business Bay,
Dubai, UAE
P.O. Box 417764

INDIA

A2 Building Solutions India Pvt. Ltd.
6th Floor, Good Earth Business Bay-1,
Sector-58, Gurgaon

**MECHANICAL DOOR
LOCK SET**