



A2 INTELLO Smart Lock

Open doors with a simple touch.

Just grab the handle and the integrated fingerprint scanner in the handle opens the door for you with your secured credentials.

Loaded with security features like high security 3 bolt stainless steel mortise lock, intrusion alarm, inside lock function and many more.

Showcasing A2's top of the range technology to provide you with convenience without compromising your safety & security.



 Fingerprint

 Card

 PIN Code

 Mobile App

 Mechanical Key

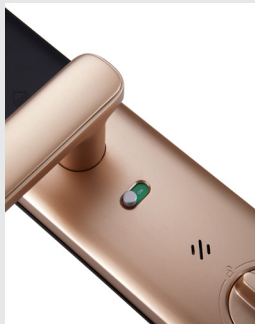
A2 INTELLO Smart Lock



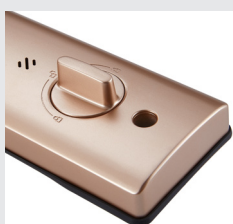
Champagne Gold



RF Semiconductor Fingerprint



Child Lock



Privacy Mode



Emergency Power Mechanical Key

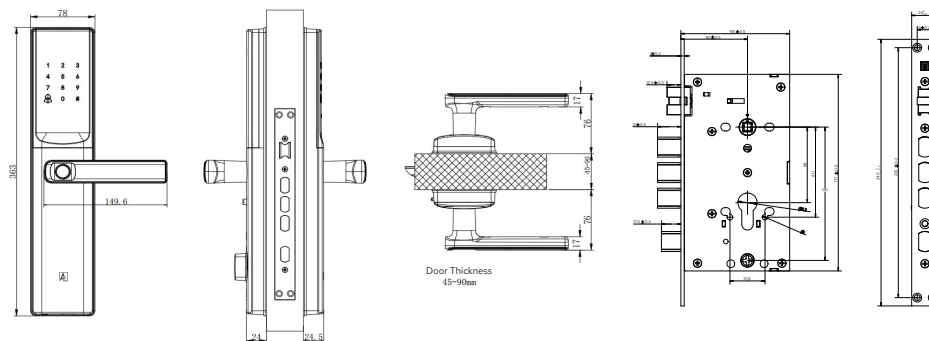


Matte Black

Smart Features

- Single Push Action
- Built-in Doorbell
- High Security Mortise Lock
- Privacy Mode
- Dual Authorisation Mode
- Security Alarms
- Low Battery Alarm
- Emergency Power
- Indicating Light
- English Voice Prompt

Fingerprint	Up to 100
PIN Code	Up to 20
IC Cards	Up to 100
Mortise Lock	304 Stainless Steel
Mechanical Key	2 Nos
Main Body	78(W) x 363(H) x 24.5(D)mm
Back Body	78(W) x 363(H) x 24.5(D)mm
Backset	60mm
Battery	4PCS AA Alkaline Battery
Emergency Power	5V Micro USB
Color	Champagne Gold Matte Black





SWEDEN

A2 Building Solutions AB
Stora Wäsby, Upplands Väsby
Sweden 19437

DUBAI

A2 Building Solutions
Unit 3509, 35th Floor,
Burlington Tower, Business Bay,
Dubai, UAE
P.O. Box 417764

INDIA

A2 Building Solutions India Pvt. Ltd.
Unit No. 603 & 604,
Welldone Tech Park, Sector 48,
Gurugram, Haryana

SMART LOCKS