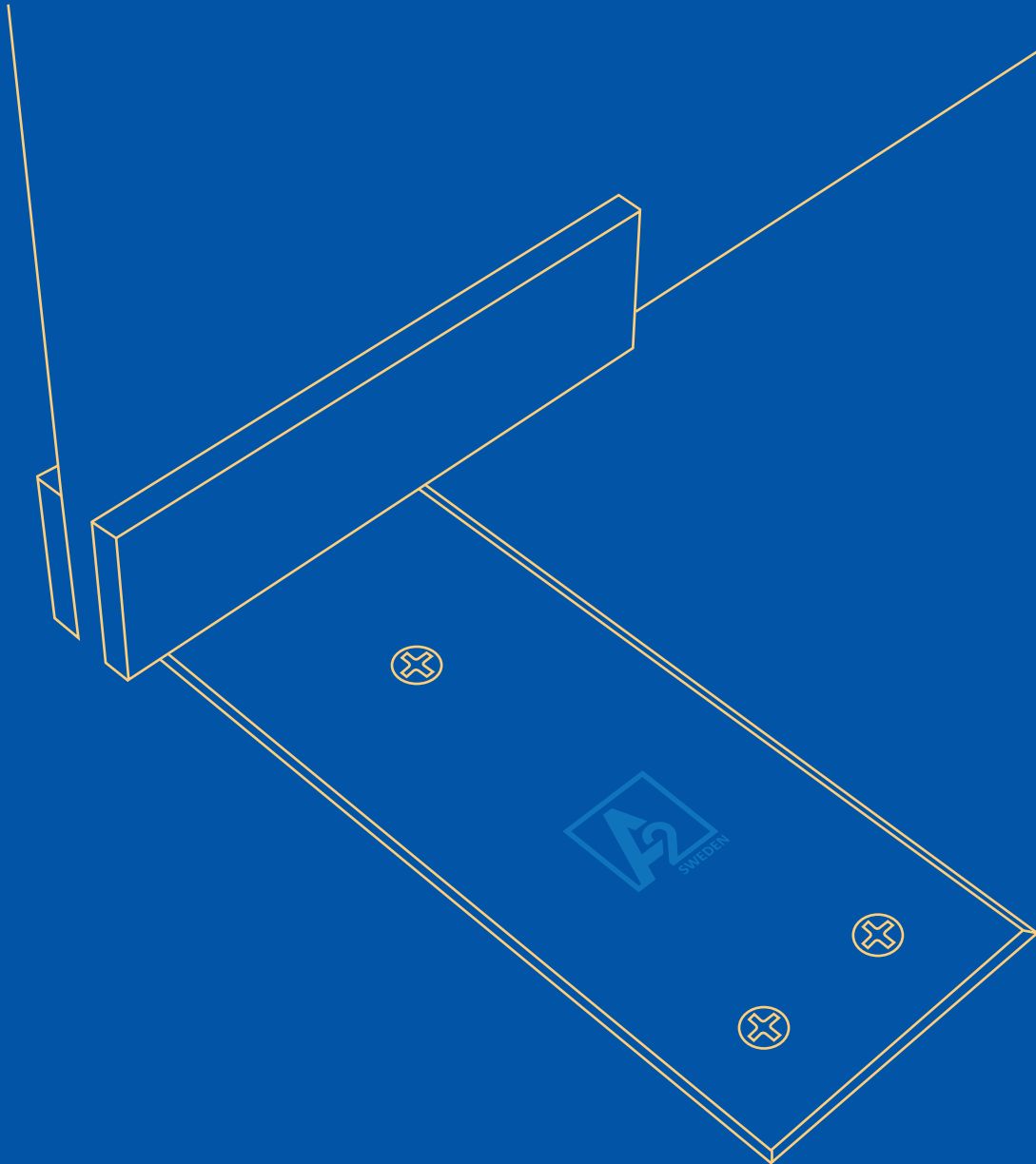




FLOOR SPRING

A 2ND GENERATION OF DOOR HARDWARE



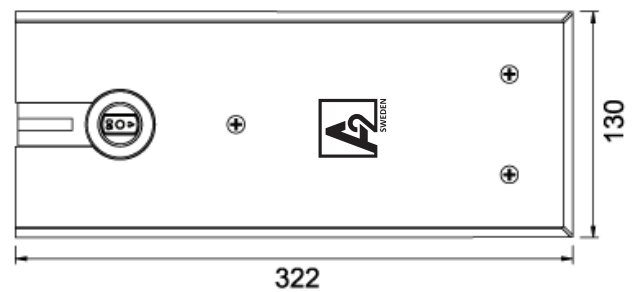
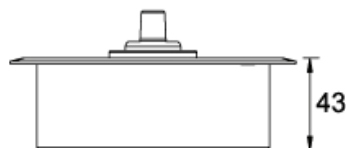
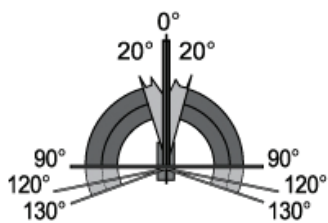
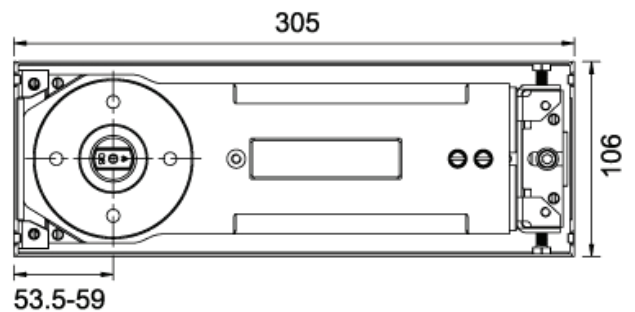
Floor Spring

FS-840



Specifications & Features

- Max Door Weight : 120kg
- Max Door Width : 1150mm
- Durability : >700,000 cycles
- Double Cylinder Floor Spring
- Finish : Satin SS, Polished SS



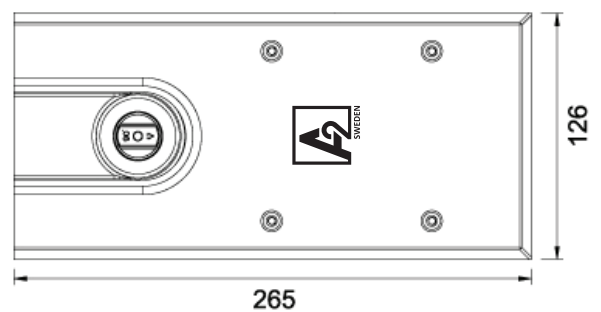
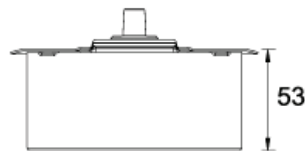
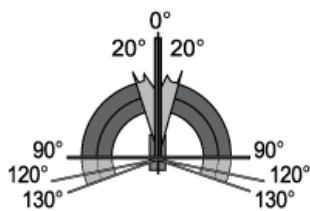
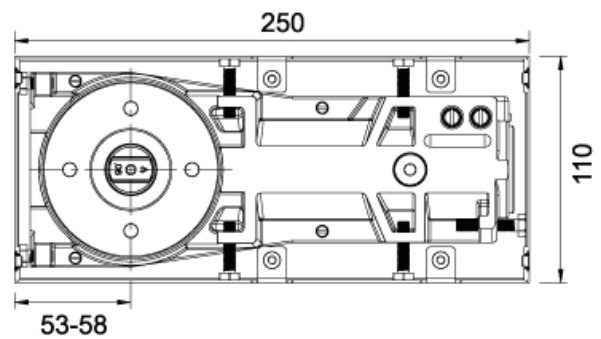
Floor Spring

FS-600



Specifications & Features

- Max Door Weight : 85kg
- Max Door Width : 900mm
- Durability : >500,000 cycles
- Finish : Satin SS, Polished SS



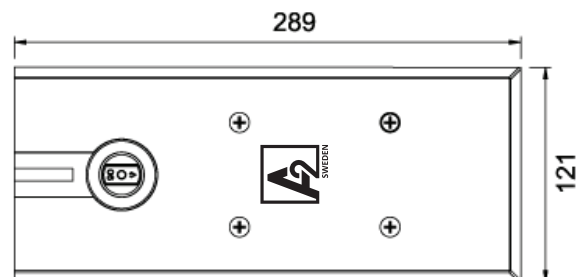
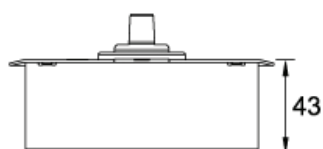
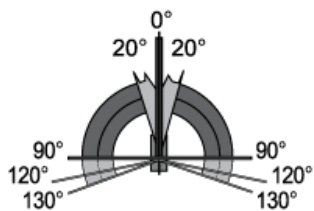
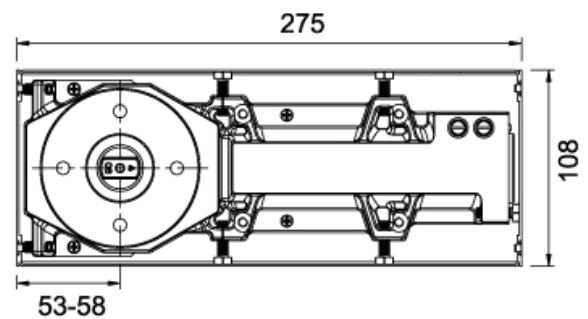
Floor Spring

FS-650



Specifications & Features

- Max Door Weight : 85kg
- Max Door Width : 900mm
- Durability : >500,000 cycles
- Finish : Satin SS, Polished SS



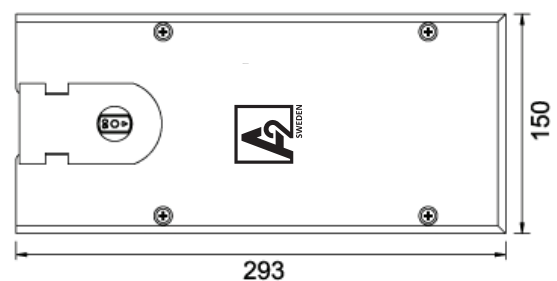
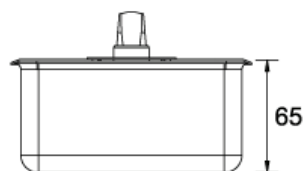
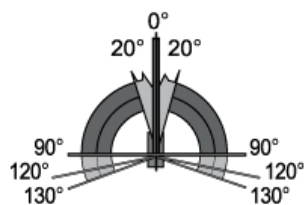
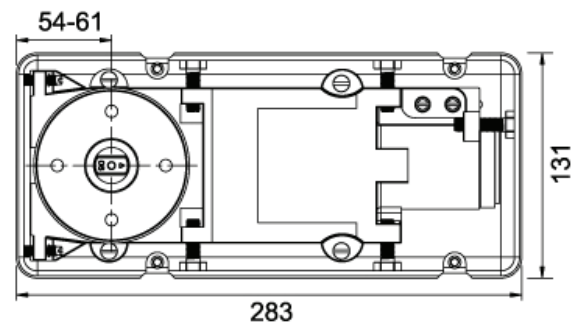
Floor Spring

EFS-730



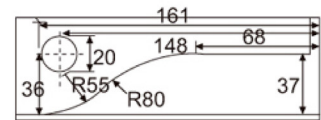
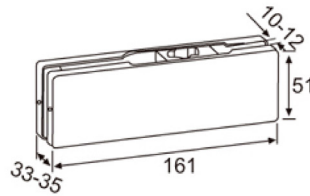
Specifications & Features

- Max Door Weight : 100kg
- Max Door Width : 1000mm
- Durability : >500,000 cycles
- Finish : Satin SS, Polished SS



Patch Fitting

PF-10



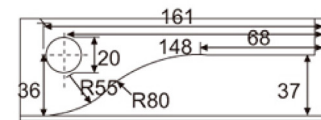
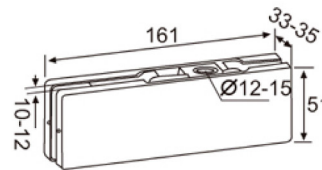
Fit for Glass thickness : 10mm/12mm

Material : Aluminum/Zinc Alloy, SS Cover Plate

Finish : Satin SS(US32D) / Polished SS(US32)

Chuck : SS, 15mm Pivot

PF-20



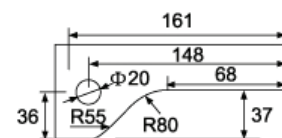
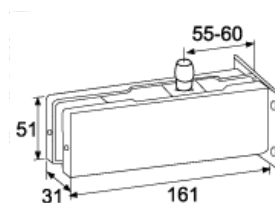
Fit for Glass thickness : 10mm/12mm

Material : Aluminum/Zinc Alloy, SS Cover Plate

Finish : Satin SS(US32D) / Polished SS(US32)

Chuck : SS, 15mm Pivot

PF-30



Fit for Glass thickness : 10mm/12mm

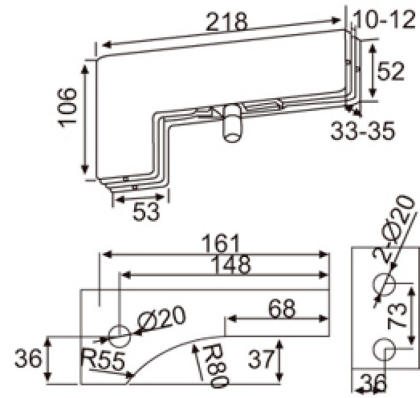
Material : Aluminum/Zinc Alloy, SS Cover Plate

Finish : Satin SS(US32D) / Polished SS(US32)

Pivot : SS, 15mm

Patch Fitting

PF-40



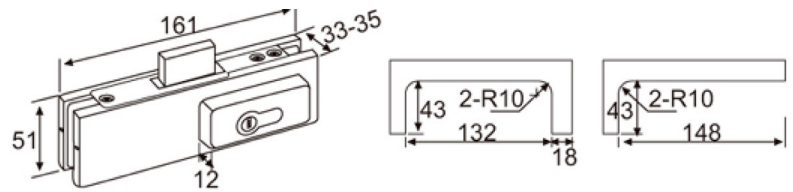
Fit for Glass thickness : 10mm/12mm

Material : Aluminum/Zinc Alloy, SS Cover Plate

Finish : Satin SS(US32D) / Polished SS(US32)

Pivot : SS, 15mm

PF-50



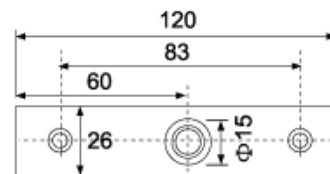
Fit for Glass thickness : 10mm/12mm

Material : Aluminum/Zinc Alloy, SS Cover Plate

Finish : Satin SS(US32D) / Polished SS(US32)

Cylinder : Brass with 3 Keys

TP-10



Material : SS 304

Finish : Satin SS(US32D) / Polished SS(US32)

Pivot : SS, 15mm



SWEDEN

A2 Building Solutions AB
Stora Wäsby, Upplands Väsby
Sweden 19437

DUBAI

A2 Building Solutions
Unit 3509, 35th Floor,
Burlington Tower, Business Bay,
Dubai, UAE
P.O. Box 417764

INDIA

A2 Building Solutions India Pvt. Ltd.
6th Floor, Good Earth Business Bay-1,
Sector-58, Gurgaon

FLOOR SPRING