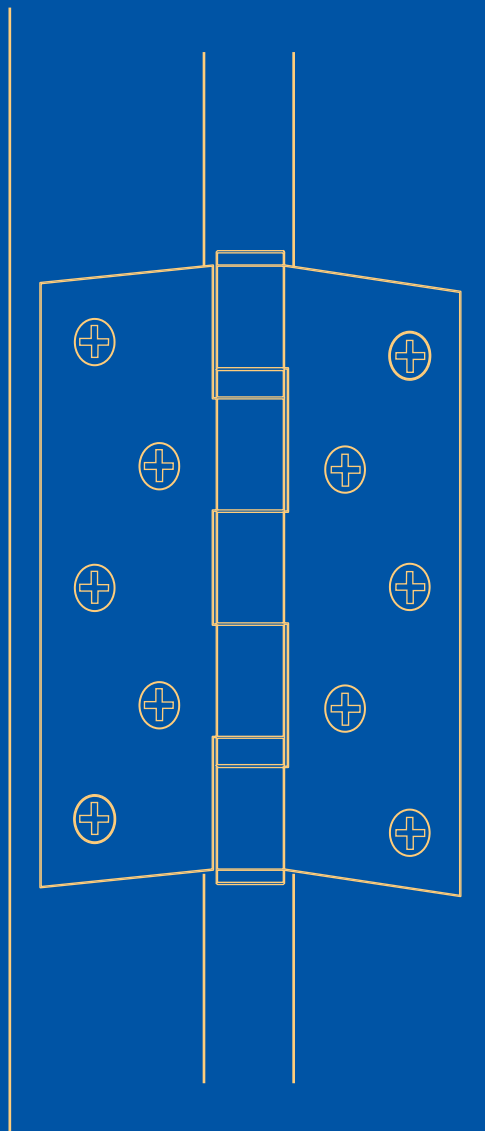




DOOR HINGE

A 2ND GENERATION OF DOOR HARDWARE



Door Hinge

Euro Mortice Hinge HB Series

Application

A2 Sweden Mortice Hinge HB Series is perfect for high frequency usage such as public buildings and commercial offices where potential misuse or deliberate abuse likely take place

Specifications and Features

- AISI304 stainless steel material for high corrosion resistance (AISI316 material available on request)
- Hardened Ball Bearings
- Square and radius corner version available (radius corner version improves the door prep precision and efficiency with machine routing)
- Template drilled for easy installation and retrofitting purpose
- Designed for metal or timber fore rate door set
- Dogbolt version optional for enhanced security
- Suitable for wide range of door thickness/weight (up to 120kg)
- Supplied with CSK stainless steel screws

Standards and Certification



Successfully type-tested for conformity to all requirements of EN1935: 2002



Successfully passed and exceeded 240-minutes fire test of metal fire door assemblies to EN1634-1: 2014



CE Declaration of Conformity available upon request



A2 Sweden HB series hinges are approved by Certifire.*



Successfully passed 180-minutes fire test of fire resistant door and frame to UBC 7-2 (1997); NFPA 252 (2008); UL 10 (b) Revision 1 (2009); UL 10 (c) (2009); CAN/ULC S104 (2010); NFPA 252 (2012), Certificate No. WH13-18485801



All EN/CE/Certifire tests performed independently and certified by Exova/Warrington fire/Warrington Apt. Test report/certificate available upon request.



All UL/UBC/NFPA tests performed independently and certified by IntertekTesting Services NA, Inc.



EN1935: 2002 Classifications

Standard Hinges

4	7	6	1*	1	4	0	13
---	---	---	----	---	---	---	----

Dogbolt Hinges

4	7	6	1*	1	4	1	13
---	---	---	----	---	---	---	----

* Provided they are fitted in accordance with the guidelines detailed in IFCA/06252

Finishes

- Satin Stainless Steel (US32D/630)
- Polished Stainless Steel (US32/629)
- Satin PVD Titanium
- Bright PVD Titanium

*Other finishes available on request

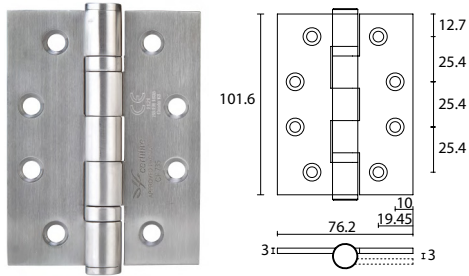
* Certifire is an independent third party certification scheme that assures performance, quality and traceability of fire protection products

Door Hinge

Available Models

HB403030

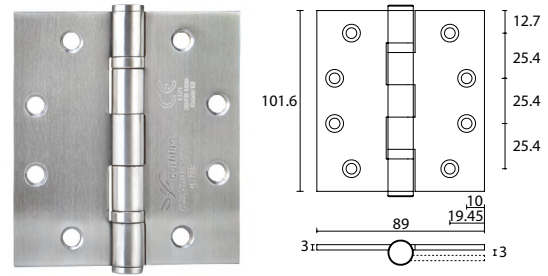
A2 Hinge 4" x 3" x 3mm - Square Corner



* Dimensions in mm

HB403530

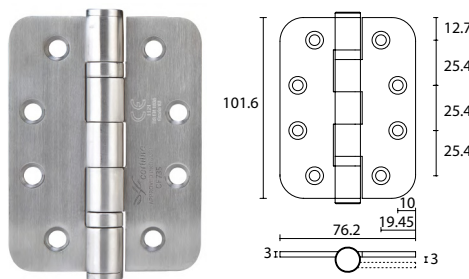
A2 Hinge 4" x 3.5" x 3mm - Square Corner



* Dimensions in mm

HB403030R

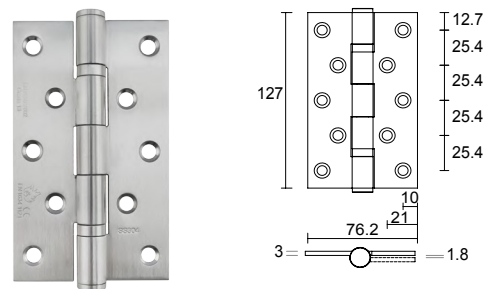
A2 4" x 3" x 3mm - Radius Corner



* Dimensions in mm

HB503030

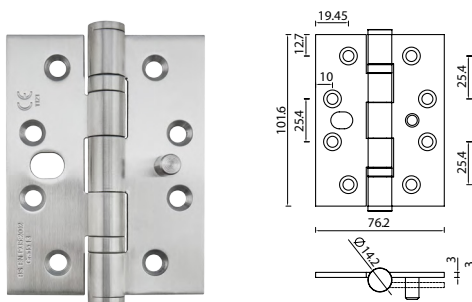
A2 Hinge 5" x 3" x 3mm - Square Corner



* Dimensions in mm

HB403030-DG

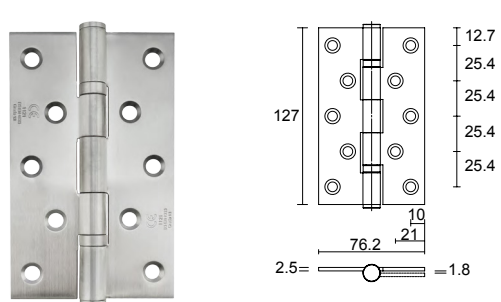
A2 Hinge 4" x 3" x 3mm - Square Corner - With Dog Bolt



* Dimensions in mm

HB503025

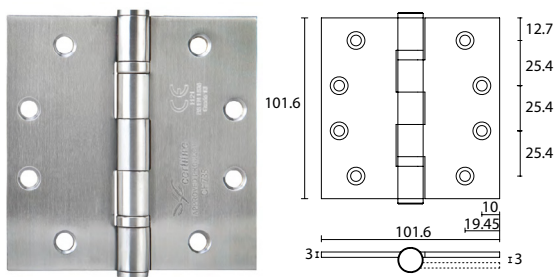
A2 Hinge 5" x 3" x 2.5mm - Square Corner



* Dimensions in mm

HB404030

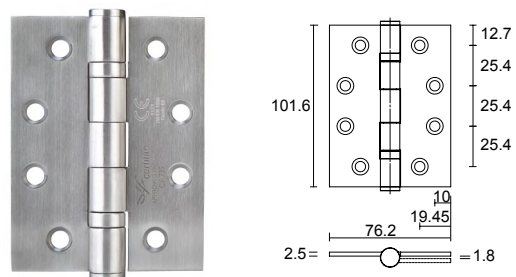
A2 Hinge 4" x 4" x 3mm - Square Corner



* Dimensions in mm

HB403025

A2 Hinge 4" x 3" x 2.5mm - Square Corner



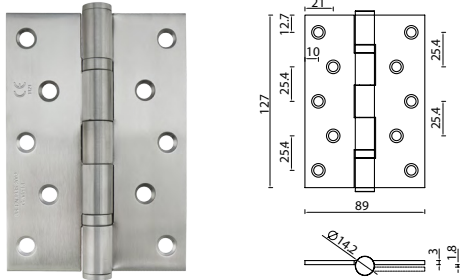
* Dimensions in mm

Door Hinge

Available Models

HB503530

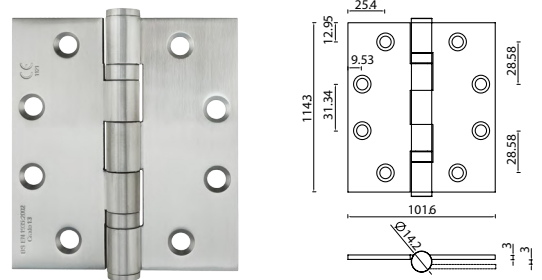
A2 Hinge 5" x 3.5" x 3mm - Square Corner



* Dimensions in mm

HB454030

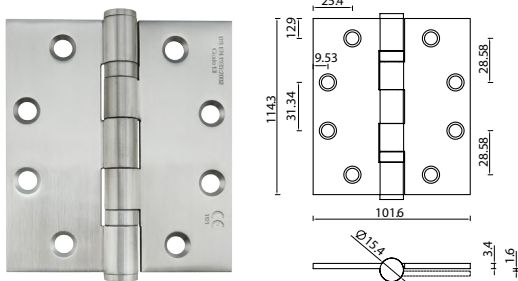
A2 Hinge 4.5" x 4" x 3mm - Square Corner



* Dimensions in mm

HB454034

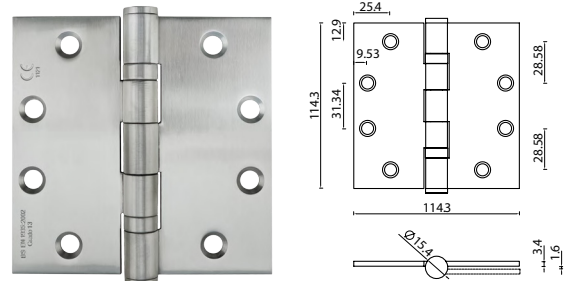
A2 Hinge 4.5" x 4" x 3.4mm - Square Corner



* Dimensions in mm

HB454534

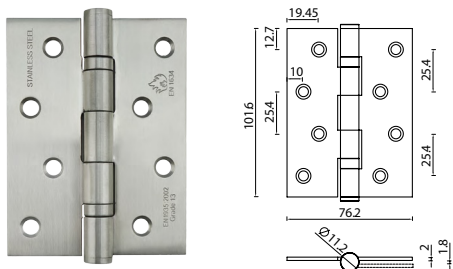
A2 Hinge 4.5" x 4.5" x 3.4mm - Square Corner



* Dimensions in mm

HB403020

A2 Hinge 4" x 3" x 2mm - Square Corner



Classification:

4	7	6	1*	1	4	0	10
---	---	---	----	---	---	---	----

* Dimensions in mm

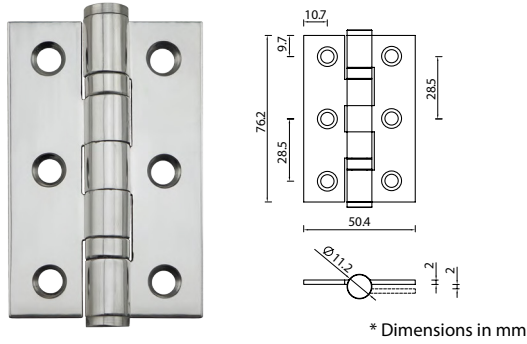
Door Hinge

Available Models

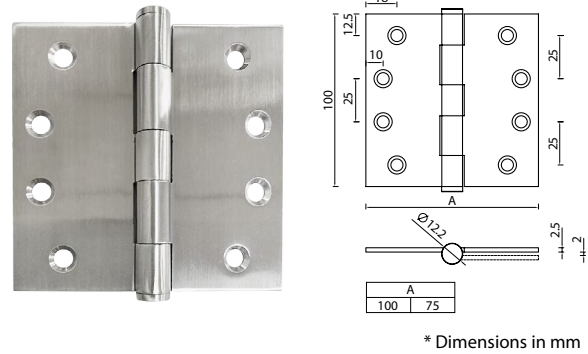
Other HB Mortice Hinge

HB302020

A2 Hinge 3" x 2" x2mm - Square Corner



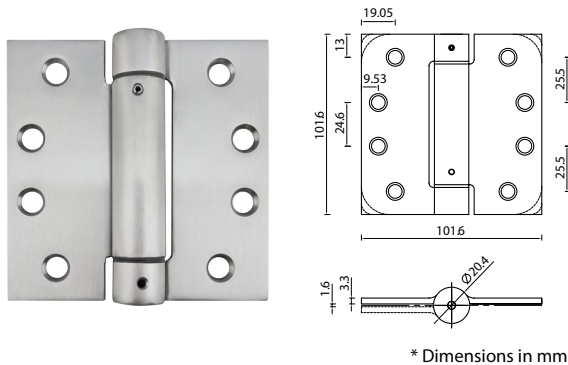
Plain Bearing Butt Hinge HP Series



Item No.	L (mm)	W (mm)	Thickness (mm)	Door Mass (kg)
HP403030	100	75	2.5	60
HP404030	100	100	2.5	60

Standard Finish: Satin Stainless Steel

Spring Hinge – Single Action HSP404033



Item No.	L (mm)	W (mm)	Thickness (mm)	Door Mass (kg)
HSP404033	102	102	3.3	80

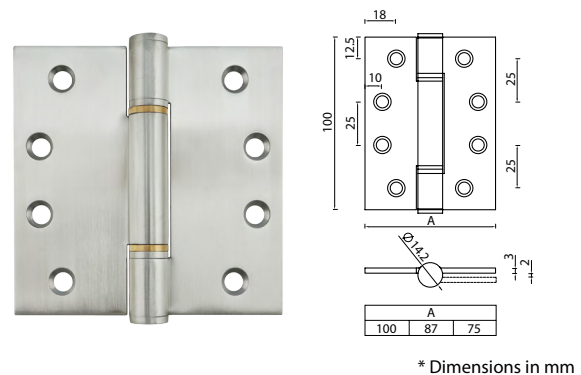
Standard Finish: Satin Stainless Steel

Heavy Duty Butt Hinge HD Series

- Designed for high frequency commercial door application requiring low maintenance.
- AISI304 stainless steel material for high corrosion resistance (AISI316 material available on request)
- Self lubricating phosphor bronze bearing
- Successfully type-tested for conformity to all requirements of EN1935: 2002 including 200,000 cycle test to 120kg door
- Extra welding of the caps to prevent tempering

Item No.	L (mm)	W (mm)	Thickness (mm)	Door Mass (kg)
HD404030	100	100	3.0	120
HD403530	100	87	3.0	120
HD403030	100	75	3.0	120

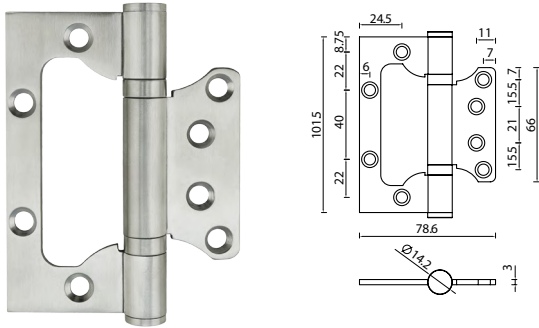
Standard Finish: Satin Stainless Steel



Door Hinge

Available Models

Flush Hinge HF Series HFS4030

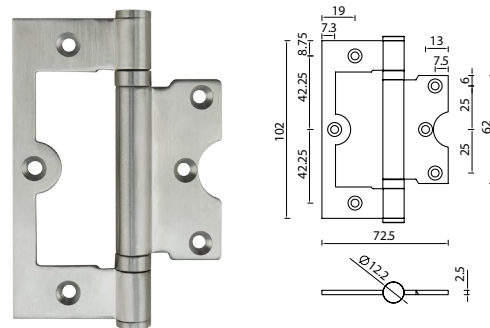


* Dimensions in mm

Item No.	L (mm)	W (mm)	Thickness (mm)	Door Mass (kg)
HFS4030	102	78	3.0	60

Standard Finish: Satin Stainless Steel

Flush Hinge HF Series HFS4025

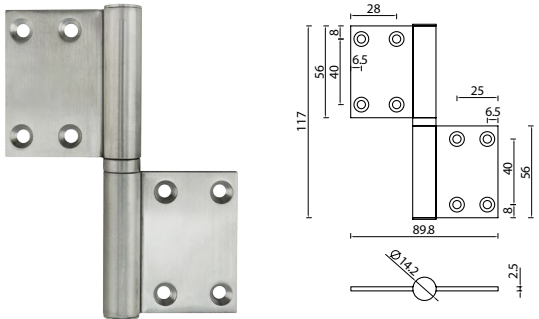


* Dimensions in mm

Item No.	L (mm)	W (mm)	Thickness (mm)	Door Mass (kg)
HFS4025	102	72	2.5	40

Standard Finish: Satin Stainless Steel

Flag Hinge HFG Series HFG453525

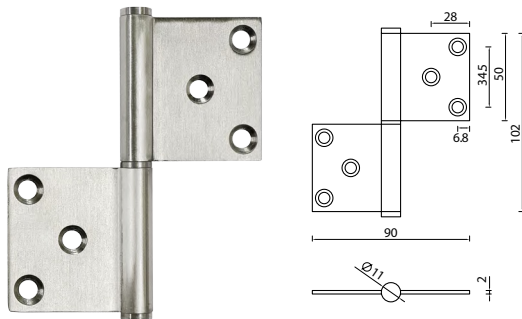


* Dimensions in mm

Item No.	L (mm)	W (mm)	Thickness (mm)	Door Mass (kg)
HFG453525	117	89	2.5	60

Standard Finish: Satin Stainless Steel

Flag Hinge HFG Series HFG403520



* Dimensions in mm

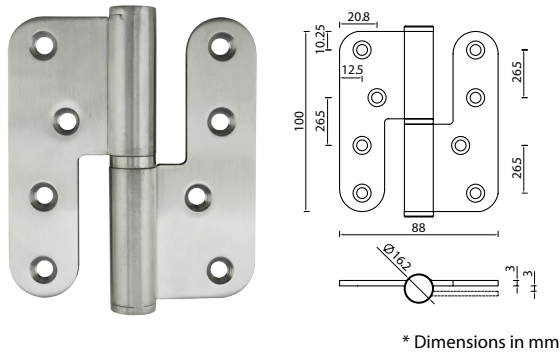
Item No.	L (mm)	W (mm)	Thickness (mm)	Door Mass (kg)
HFG403520	102	89	2.0	40

Standard Finish: Satin Stainless Steel

Door Hinge

Available Models

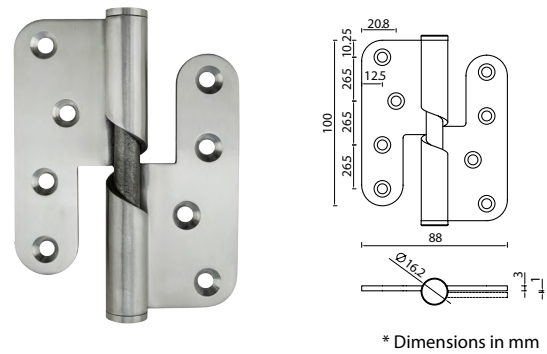
Lift off Hinge – L type HLL1008830



Item No.	L (mm)	W (mm)	Thickness (mm)	Door Mass (kg)
HLL1008830	100	88	3.0	60

Standard Finish: Satin Stainless Steel

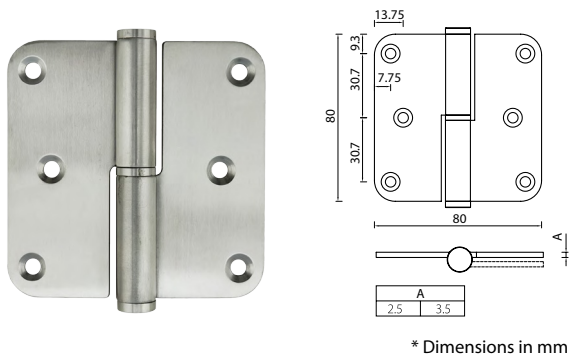
Lift off Hinge – L type rising HLR1008830



Item No.	L (mm)	W (mm)	Thickness (mm)	Door Mass (kg)
HLR1008830	100	88	3.0	60

Standard Finish: Satin Stainless Steel

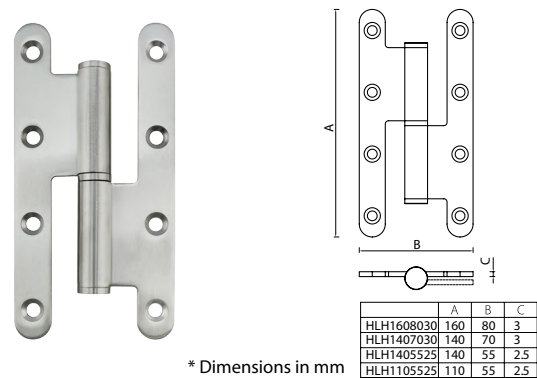
Lift off Hinge – L type HLL8080 Series



Item No.	L (mm)	W (mm)	Thickness (mm)	Door Mass (kg)
HLL808025	80	80	2.5	40
HLL808035	80	80	3.5	60

Standard Finish: Satin Stainless Steel

Lift off Hinge – H type HLH Series



Item No.	L (mm)	W (mm)	Thickness (mm)	Door Mass (kg)
HLH1608030	160	80	3.0	60
HLH1407030	140	70	3.0	60
HLH1405525	140	55	2.5	40
HLH1105525	110	55	2.5	40

Standard Finish: Satin Stainless Steel



SWEDEN

A2 Building Solutions AB
Stora Wäsby, Upplands Väsby
Sweden 19437

DUBAI

A2 Building Solutions
Unit 3509, 35th Floor,
Burlington Tower, Business Bay,
Dubai, UAE
P.O. Box 417764

INDIA

A2 Building Solutions India Pvt. Ltd.
6th Floor, Good Earth Business Bay-1,
Sector-58, Gurgaon

DOOR HINGE